

4

3

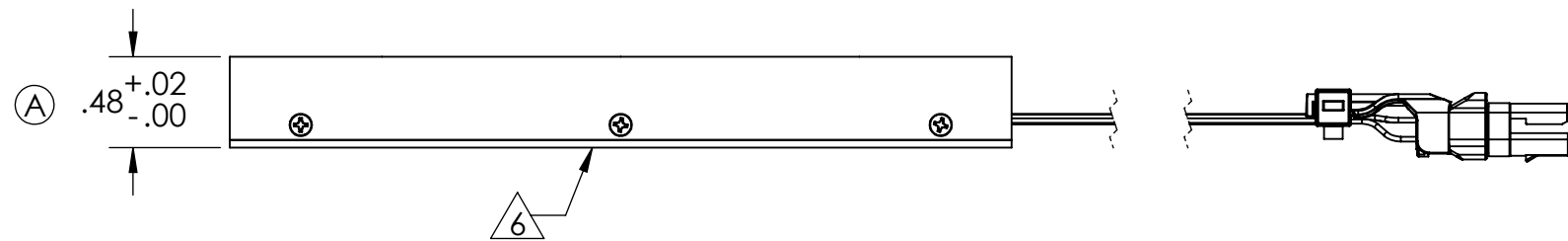
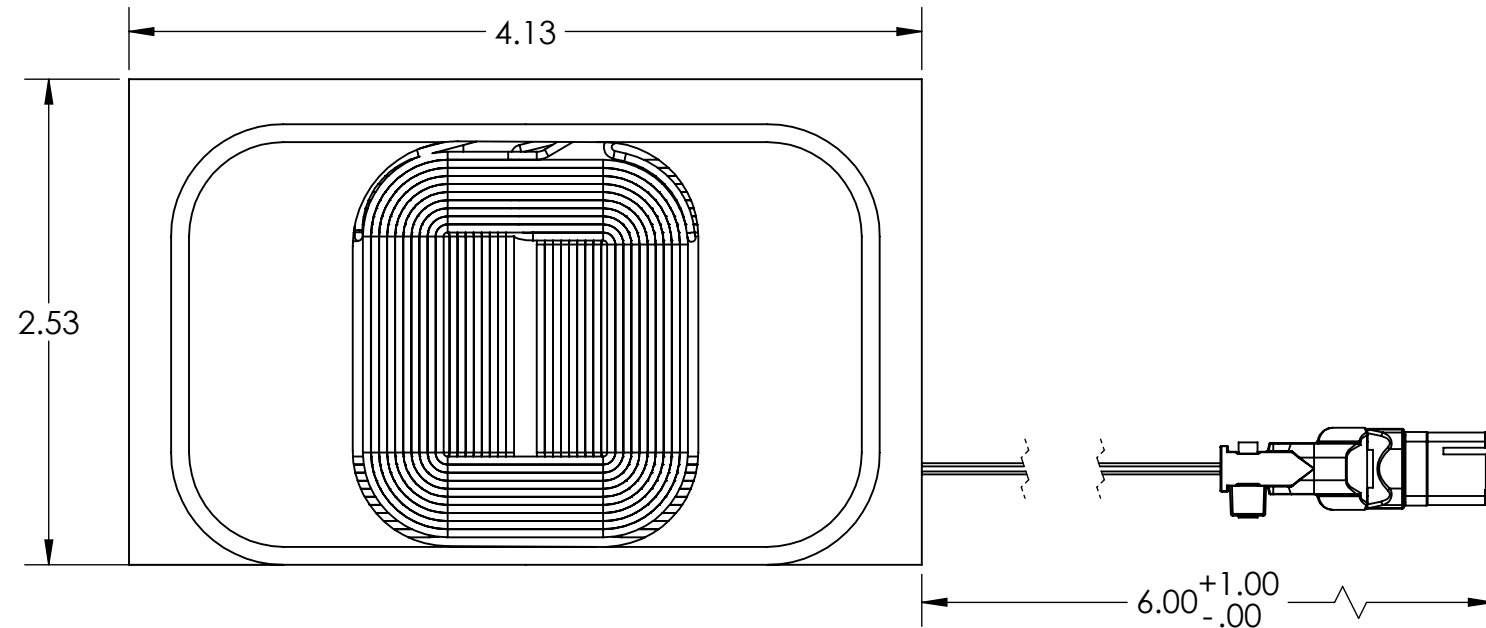
2

1

NOTES:

- 1. ALL WIRE TO BE MIL-W-22759/43
 - WIRE BUNDLE DIAMETER: .06 REF
 - MINIMUM BEND RADIUS: .5 REF
- 2. NTE WEIGHT: 6.0 oz
- 3. MATERIAL: WHITE DELRIN 150
- 4. PART PROVIDES INDUCTIVE CHARGING UP TO 10W MAX (A)
- 5. INDUCTIVE CHARGER MEETS WPC 1.2.4 EXTENDED POWER PROFILE
- 6 SERIAL NUMBER LABEL APPLIED TO THIS SURFACE
 - LABEL WILL INCLUDE AT MINIMUM: VENDOR, CAGE CODE, DESCRIPTION, PART NUMBER, AND DATE
- 7. FOR INSTALLATION AND OPERATION PROCEDURES SEE MCC-19-372 (A)

| REVISIONS | | | | |
|-----------|------|--|-----------|----------|
| ZONE | REV. | DESCRIPTION | DATE | ENGINEER |
| | IR | INITIAL RELEASE | 1/19/2021 | LJN |
| A4, D3 | A | 10W WAS 15W IN NOTE 4 MCC-19-372 WAS MCC-19-368 IN NOTE 7 ADDED TOLERANCE TO .48 DIMENSION | 1/26/2021 | LJN |



| CONNECTOR DESCRIPTION - J1 | | | |
|----------------------------|-----------------|--|-----------|
| CONNECTOR (MC2 P/N) | | MATING CONNECTOR (TE CONNECTIVITY P/N) | |
| J006PRLC-FRE-00 | CONNECTOR | D369-P66-NS1 | CONNECTOR |
| K26-22-P-000 | PINS | 38946-22 | SOCKETS |
| B-RE-U180-6-01 | BACKSHELL | D369-STB-6 | BACKSHELL |
| PIN | CIRCUIT | CIRCUIT TYPE | |
| 1 | 28VDC | AIRCRAFT DC SUPPLY VOLTAGE | |
| 2 | GROUND | AIRCRAFT GROUND | |
| 3 | CHARGING STATUS | MOMENTARY GROUND OUTPUT | |
| 4 | NO CONNECT | N/A | |
| 5 | NO CONNECT | N/A | |
| 6 | NO CONNECT | N/A | |

| | |
|---------------------------------------|--------------------------------|
| STATUS ACTIVE | |
| DRAWN BY L. NEISES | |
| CUSTOMER N/A | |
| GENERAL TOLERANCE UNLESS SPECIFIED | SCALE: 1:1 UNLESS SPECIFIED |
| .X ±.1 ±.8 | THIRD ANGLE PROJECTION |
| .XX ±.01 ±.25 | |
| .XXX ±.005 ±.100 | |
| ANGULAR: ± 1° | |

MID CONTINENT CONTROLS, INC.
901 NORTH RIVER | DERBY, KS 67037 | (316) 789-0088

3-COIL INDUCTIVE CHARGER

| | | |
|--|--------------------------------|-------------------------------|
| CAGE CODE 3YHW1 | DRAWING NO. 106458-1 | SHEET 1 OF 1 |
| SIZE B | | |
| THIS DRAWING CONTAINS INFORMATION THAT IS PROPRIETARY TO MID CONTINENT CONTROLS, INC. AND CAN NOT BE USED WITHOUT THE WRITTEN PERMISSION FROM MID CONTINENT CONTROLS, INC. | | |

| ORDER NUMBER | DESCRIPTION |
|--------------|---------------------------------|
| 106458-1 | 3-COIL INDUCTIVE CHARGER - FLAT |

4

3

2

1