

4

3

2

1

NOTES:

1. ALL WIRE TO BE MIL-W-22759/43
2. NTE WEIGHT: 3.0 oz
3. MATERIAL: BLACK LEXAN 940-701 (A)
4. KEEP HATCHED AREA CLEAR OF METAL OBJECTS DUE TO ANTENNA
5. SERIAL NUMBER LABEL APPLIED TO THIS SURFACE
 - LABEL WILL INCLUDE AT MINIMUM: VENDOR, CAGE CODE, DESCRIPTION, PART NUMBER, AND DATE
6. ANALOG AUDIO INPUT TO BE 3.6V PEAK TO PEAK MAXIMUM
 - AUDIO INPUTS AND OUTPUTS ARE ELECTRICALLY CONNECTED WITHIN THE UNIT
7. PART IS A BLUETOOTH 4.2 AUDIO TRANSMITTER SUPPORTING A2DP AND APTX-HD
 - SUPPORTS TRANSPORT PROTOCOL AVRCP
 - DEVICE CONFIGURATION THROUGH SPP OR BLE
8. DEVICE CONFIGURATION OF SOFTWARE PARAMETERS THROUGH ANDROID OR IOS APP
9. MOUNT WITH #10 SOCKET HEAD CAP SCREWS (NOT INCLUDED)
10. FOR INSTALLATION AND OPERATION PROCEDURES SEE MCC-19-367

REVISIONS				
ZONE	REV.	DESCRIPTION	DATE	ENGINEER
	IR	INITIAL RELEASE	5/13/2020	LJN
B2, D4	A	MATERIAL WAS "BLACK LEXAN 940A" CIRCUIT TYPE FOR PINS 11,12, & 13 WERE "ANALOG AUDIO"	10/15/2020	LJN

D

D

C

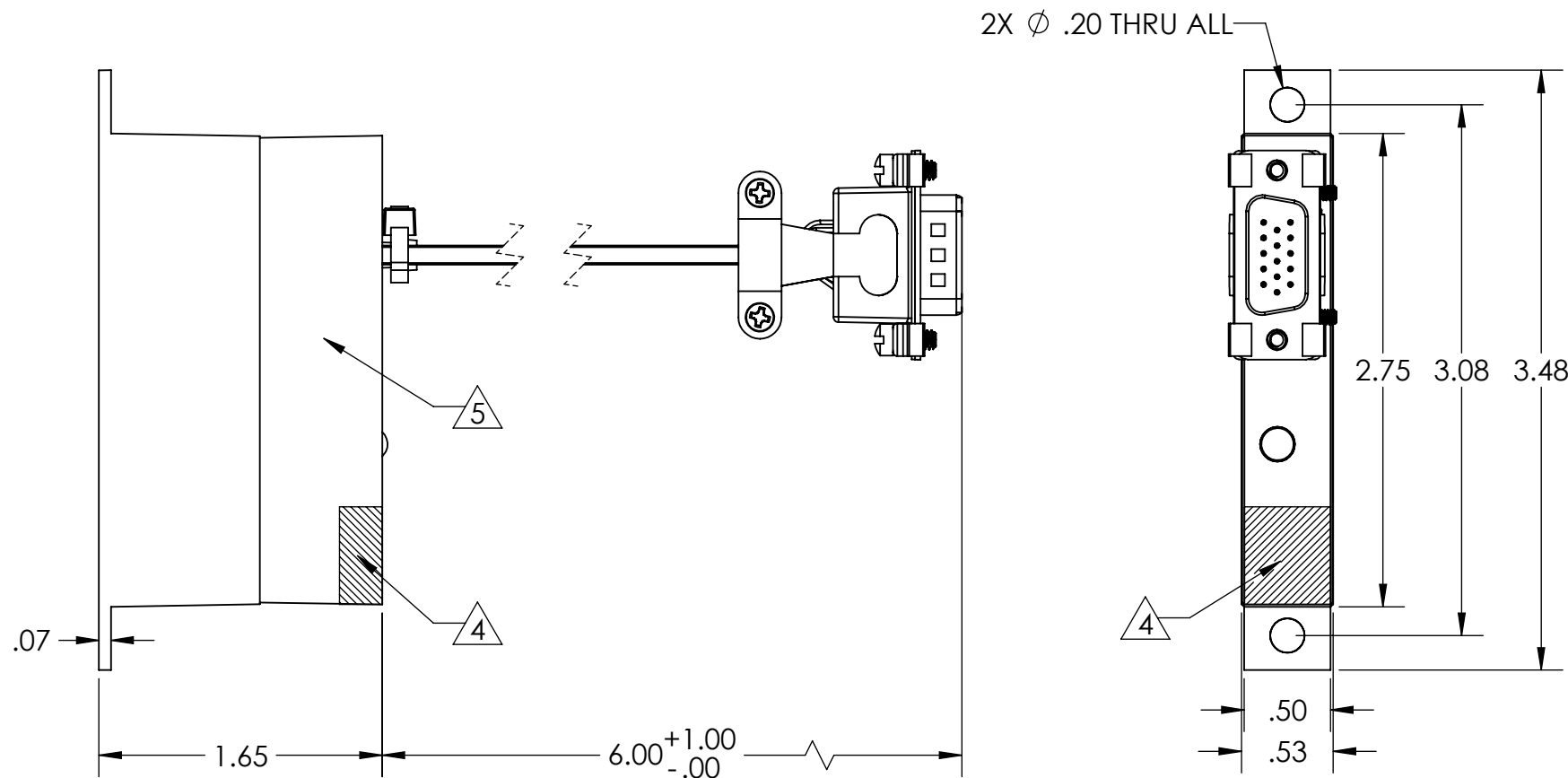
C

B

B

A

A



CONNECTOR DESCRIPTION - J1			
CONNECTOR (MC2 P/N)		MATING CONNECTOR (TE CONNECTIVITY P/N)	
J015PRLC-PNL-00	CONNECTOR	204512-2	CONNECTOR
K26-22-P-000	PINS	204351	SOCKETS
B-DS-U180-01-00	BACKSHELL	M85049/48-2-1F	BACKSHELL
PIN	CIRCUIT	CIRCUIT TYPE	
1	+28VDC	AIRCRAFT DC SUPPLY VOLTAGE	
2	GROUND	AIRCRAFT GROUND	
3	PAIR BUTTON	MOMENTARY GROUND INPUT	
4	PAIR STATUS	MOMENTARY GROUND OUTPUT	
5	RESERVED	RESERVED	
6	AUDIO COMMON	ANALOG AUDIO COMMON INPUT	
7	AUDIO LEFT	ANALOG AUDIO INPUT	
8	AUDIO RIGHT	ANALOG AUDIO INPUT	
9	RESERVED	RESERVED	
10	RESERVED	RESERVED	
11	AUDIO RIGHT	PASSTHRU AUDIO OUT	
12	AUDIO LEFT	PASSTHRU AUDIO OUT	
13	AUDIO COMMON	PASSTHRU AUDIO COMMON	
14	NO CONNECT	N/A	
15	NO CONNECT	N/A	

ORDER NUMBER	DESCRIPTION
102047-1	BLUETOOTH AUDIO TRANSMITTER - EXTERNAL INTERFACE

STATUS ACTIVE		MID CONTINENT CONTROLS, INC.	
DRAWN BY L. NEISES		901 NORTH RIVER DERBY, KS 67037 (316) 789-0088	
CUSTOMER N/A		TITLE BLUETOOTH AUDIO TRANSMITTER	
GENERAL TOLERANCE UNLESS SPECIFIED		CAGE CODE 3YHW1	DRAWING NO. 102047-1
SCALE: 1:1		SHEET 1 OF 1	
THIRD ANGLE PROJECTION		SIZE B	
ANGULAR: ± 1°		THIS DRAWING CONTAINS INFORMATION THAT IS PROPRIETARY TO MID CONTINENT CONTROLS, INC. AND CAN NOT BE USED WITHOUT THE WRITTEN PERMISSION FROM MID CONTINENT CONTROLS, INC.	

4

3

2

1