

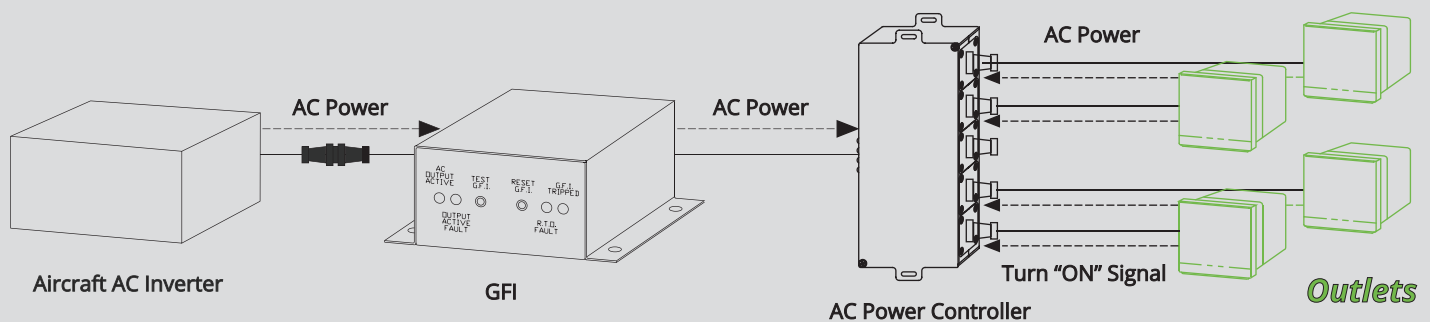


COMBINATION OUTLET & USB

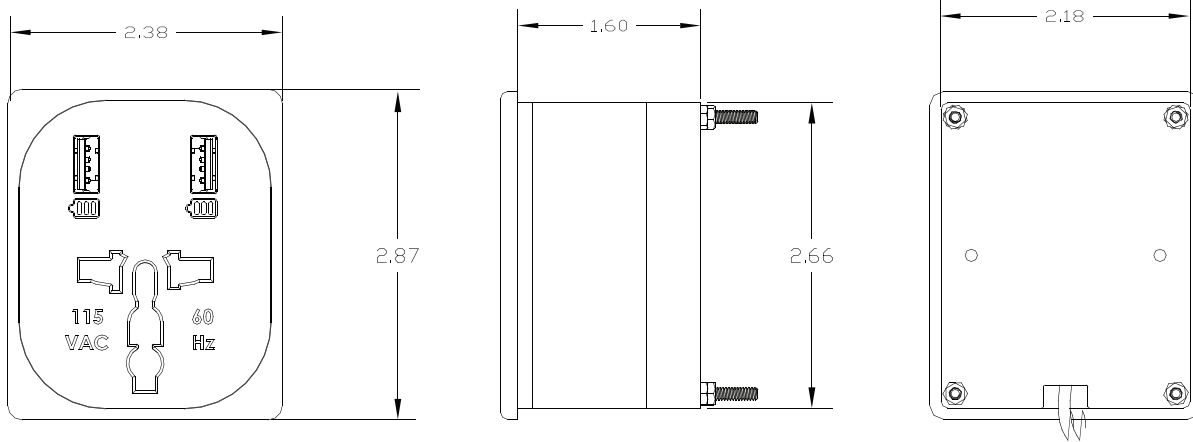
Mid Continent Controls manufactures a wide variety of AC Outlets, USB Charging, and Data Ports that meet and exceed the standards set by the aviation industry. Our Combination Outlet combines both, a Universal AC outlet and multiple USB charging/data options, into one assembly that is a true drop-in replacement for most of our existing Universal AC outlets. This gives customers a quick upgrade options that provide a noticeable improvement to the customer experience, with little to no extra work. The Universal AC outlet incorporated into this product has all the same safety features we offer on our existing Universal AC outlets.

One of the major features included is a remote turn on switching function that provides a signal to the AC controller when a plug has been inserted into the outlet. This feature allows the outlet to only have AC present when there is a device plugged into the outlet. As a standard feature, a pair of USB ports are available. The pair of USB Ports can be configured for USB-A Power, USB-A Data and USB-C. USB-A Power ports are capable of supplying enough current to charge PED devices. USB-A Data ports are 2.0 compliant allowing connectivity into IFE systems. USB-C ports utilize Mid Continent Controls USB-C 45 watt power supply. The outlets are available with and without backlight. When backlight is selected, a soft, aesthetic, blue glow will allow the outlet and USB ports to be located in the darkest of areas without creating a harsh light. A version with a lid is offered as an alternative to the standard bezel. The lid or standard bezel can be plated to match existing installations.

The Combination Outlets carry FAA TSO-C71 certification.



SPECIFICATIONS



Part Number.....106409 Series
 Backlight (Optional).....Blue
 DC Power Input (USB-A Power).....28VDC, 650mA (Max per charge port)
 DC Power Output (USB-A Power).....5VDC, 2.1A (Max per charge port)
 DC Power Input (USB-C)*.....28VDC, 2A (Max)
 DC Power Output (USB-C)*.....5V, 9V, 15V @3A
 AC Power Input.....Per Part Number
 AC Current Maximum.....15A
 Certification.....TSO-C71

* - Requires Mid Continent Controls 106440 Series USB-C Power Supply

ORDER NUMBER:

Part Number	Description	Voltage	USB 1	USB 2	Lid
106409-1	"Universal" Outlet Assembly w/Dual USB-A Charger	115VAC	PWR	PWR	
106409-2	"Universal" Outlet Assembly w/USB-A Charger & USB-A Data	115VAC	PWR	PASS	
106409-14*	"Universal" Outlet Assembly w/USB-A Charger & USB-C Passthrough	115VAC	PWR	PASS	
106409-3	"International" Outlet Assembly w/Dual USB-A Charger	230VAC	PWR	PWR	
106409-5	"International" Outlet Assembly w/USB-A Charger & USB-A Data	230VAC	PWR	PASS	
106409-6	"International" Outlet Assembly w/Dual USB-A Charger w/Lid	230VAC	PWR	PWR	X
106409-7	"International" Outlet Assembly w/USB-A Charger & USB-A Data w/Lid	230VAC	PWR	PASS	X
106409-8	"Universal" Outlet Assembly w/Dual USB-A Charger w/Lid	115VAC	PWR	PWR	X
106409-9	"Universal" Outlet Assembly w/USB-A Charger & USB-A Data w/Lid	115VAC	PWR	PASS	X

* - Requires Mid Continent Controls 106440 Series USB-C Power Supply