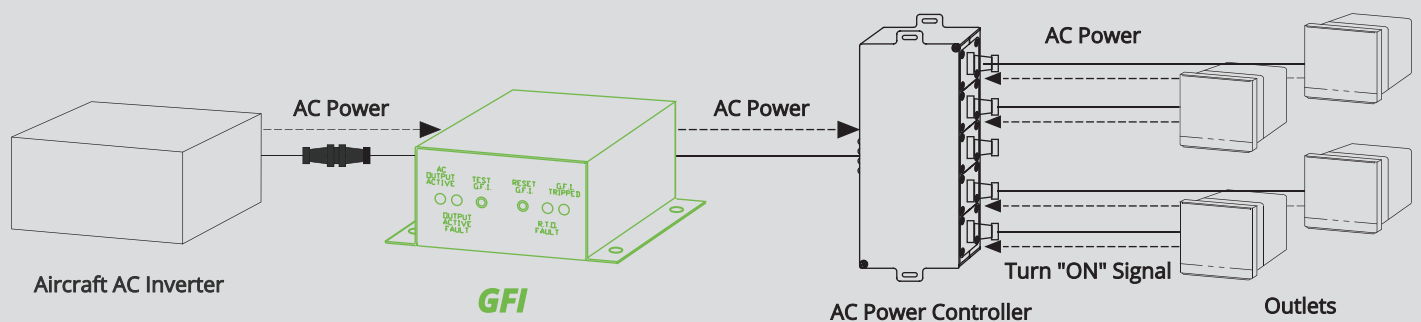




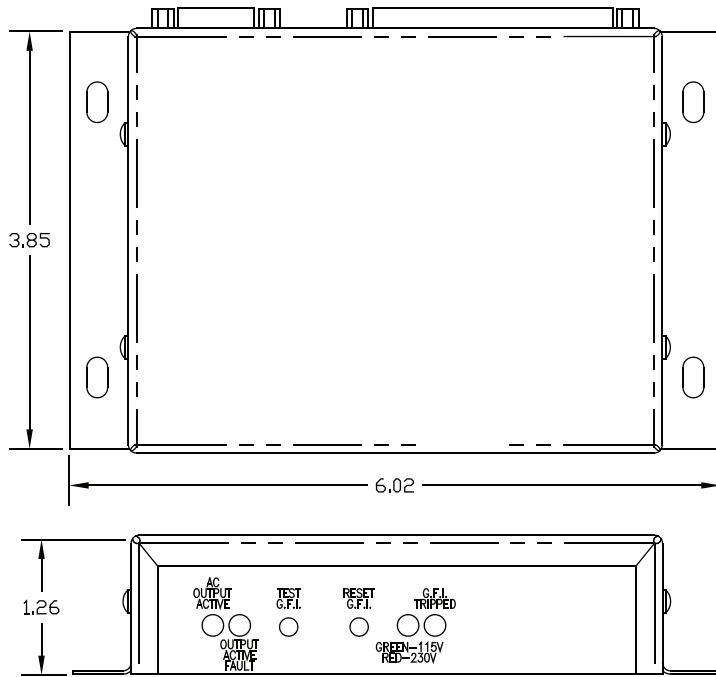
GROUND FAULT INTERRUPTERS

Mid Continent Controls offers Ground Fault Interrupters (GFIs) that are specifically designed for the aircraft environment. Our GFIs are designed to quickly stop the flow of electricity in the event of a ground fault, thus preventing serious injury. These GFIs have been tested and verified to trip within 30ms when a 30mA fault is present.

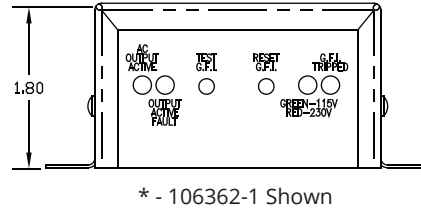
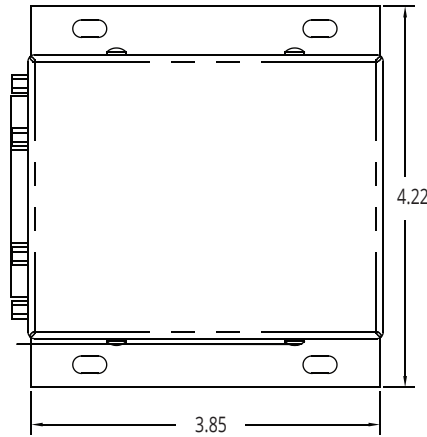
Mid Continent Controls GFIs also feature a “TEST/RESET” to induce a ground fault for testing purposes. The GFI’s have been designed to work with grounded and non-grounded inverters. Our GFI’s are housed in rugged aluminum enclosures. Features status LED’s that indicate fault conditions which may be present. These GFI’s comply with ANM-01-11-165 response times.



GROUND FAULT INTERRUPTERS



Part Number.....106366-1
 NTE Weight..... 10.9oz
 DC Power Input.....AC Power Only
 AC Power Input.....115/230VAC
 AC Current Maximum.....30A



* - 106362-1 Shown

Part Number.....106362-1
 NTE Weight.....9.4oz
 DC Power Input.....28VDC
 AC Power Input.....115/230VAC
 AC Current Maximum.....20A

Part Number.....106234-1
 NTE Weight.....9.6oz
 DC Power Input.....28VDC
 AC Power Input.....115VAC
 AC Current Maximum.....20A

Part Number.....106104-2
 NTE Weight..... 10.4oz
 DC Power Input.....28VDC
 AC Power Input.....115/230VAC
 AC Current Maximum.....15A

Part Number.....106072-2
 NTE Weight..... 10.4oz
 DC Power Input.....28VDC
 AC Power Input.....115VAC
 AC Current Maximum.....15A