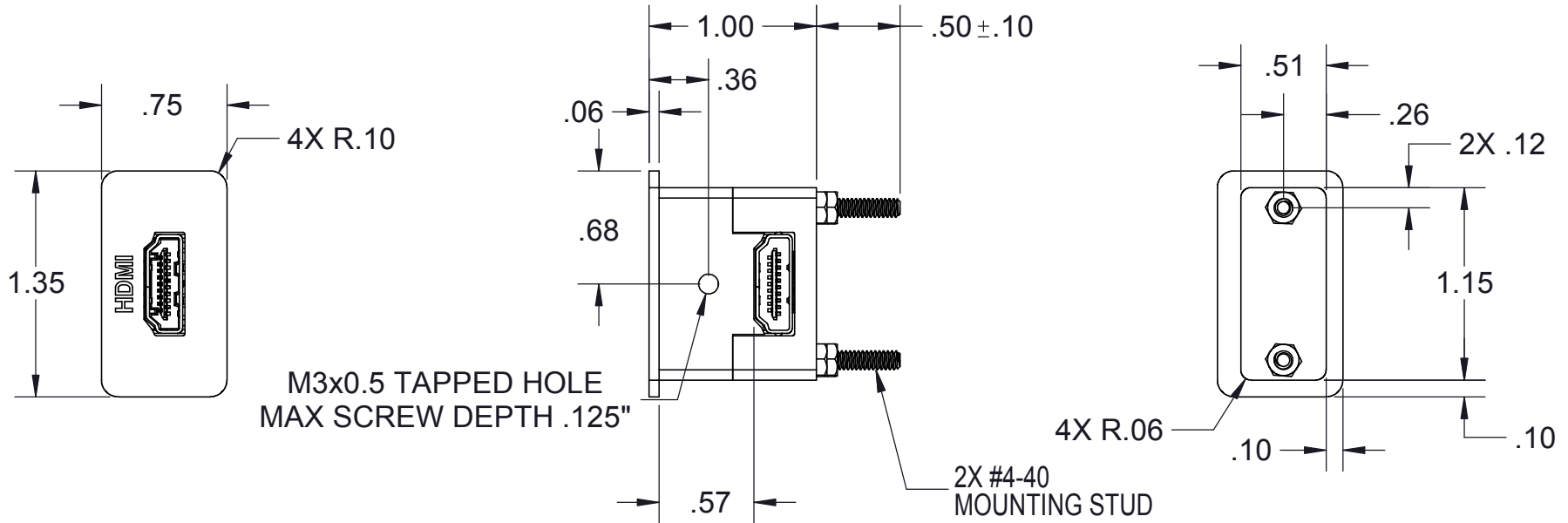


NOTES:

1. 106418-1 SERIES ARE PASSTHROUGH DEVICES.
2. LETTERING TO BE LASER ETCHED/ENGRAVED.
3. FOR INSTALLATION AND OPERATION, REFERENCE MCC-19-317.
4. ALL MATERIALS MEET FLAMMABILITY REQUIREMENTS OF 14 CFR 25.853a.
5. USE MCCI P/N 107075 SERIES FOR HDMI CABLES.

REVISIONS				
ZONE	REV.	DESCRIPTION	DATE	APPROVED
-	A	REDRAWN WITH CHANGES	3/28/2018	CAS



THIS DRAWING CONTAINS PROPRIETARY INFORMATION AND TECHNICAL MATERIAL THAT ARE THE SOLE PROPERTY OF MID CONTINENT CONTROLS, INC. THIS MATERIAL SHOULD BE TREATED AS CONFIDENTIAL BY ITS RECIPIENT AND SHOULD NOT BE SHOWN OR DISCLOSED TO ANY ORGANIZATION OR PERSON WITHOUT FIRST OBTAINING WRITTEN PERMISSION FROM MID CONTINENT CONTROLS, INC.

FINISH: N/A

MATERIAL: ALUMINUM 6061-T6

UNLESS OTHERWISE SPECIFIED:
DIMENSIONS ARE IN INCHES.
TOLERANCES ARE:
DECIMALS ANGLES
.X = .1 ±1°
.XX = .01
.XXX = .005

MID CONTINENT CONTROLS, INC.



901. NORTH RIVER DERBY, KS 67037 (316)789-0088

TITLE

HDMI PORT

ORDER #	DESCRIPTION	FINISH
106418-1	HDMI PORT - RIGHT ANGLE	PER CUSTOMER PO
106418-1-1	HDMI PORT - RIGHT ANGLE	CLEAR ANODIZED
106418-1-2	HDMI PORT - RIGHT ANGLE	BLACK ANODIZED



DERIVED FROM (REFERENCE ONLY) N/A

SIZE A

DRAWN CAS

DWG NO.

106418

REV A

SCALE: 1:1 UNLESS NOTED

DATE 9/29/2015

SHEET 1 OF