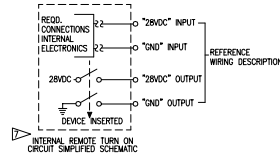
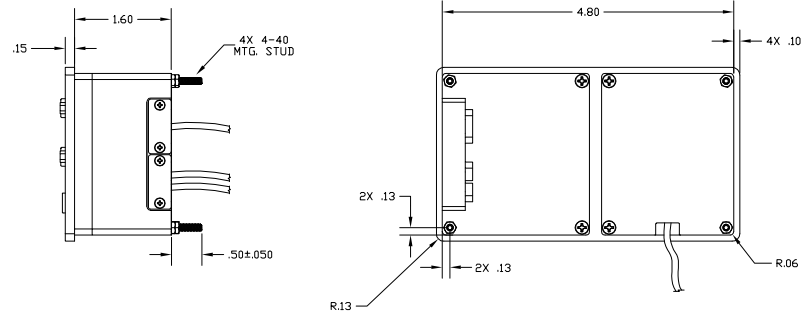
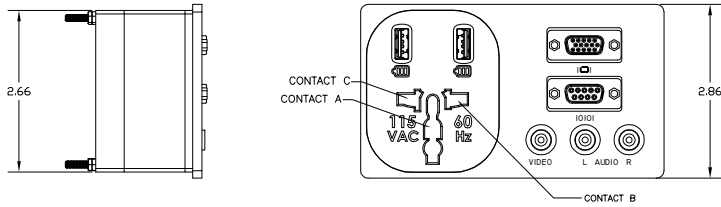
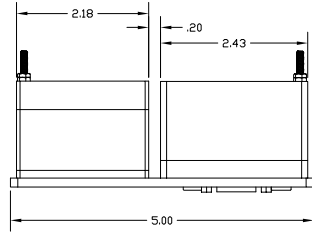


NOTES:

- WIRE BUNDLES TO EXIT APPROXIMATELY AS SHOWN. PIGTAIL LENGTH TO BE MINIMUM 18 INCHES. ALL WIRE TO PASS BURN REQUIREMENTS (PART 25, APP. F)
 CONNECTOR P1, ALL WIRES TO BE 24 AWG.
 CONNECTOR P2, ALL WIRES TO BE 24 AWG.
 CONNECTOR P3, ALL WIRES TO BE 24 AWG. (C)
 CONNECTOR J1, CONTROL WIRES TO BE 24 AWG OR LARGER. AC OUTLET WIRES TO BE 14 AWG.
 MATING CONNECTOR KITS AVAILABLE. ORDER MCCP P/N:
 856027-1 FOR CONNECTOR P1
 856028-1 FOR CONNECTOR P2
 856003-1 FOR CONNECTOR P3
 856002-1 FOR CONNECTOR J1.
 P/N OF POSITRONIC.
 P/N OF ITT CANNON.
 P/N OF AMP.
 AC OUTLET RATED FOR MAXIMUM 250VAC, 15A
 EACH USB PORT IS TYPE A & PROVIDES 12W MAX POWER.
 INPUT CURRENT ON PIN 1 OF CONNECTOR J1 MAX 1A @ 28VDC
 AC OUTLET PROVIDES REMOTE TURN ON CAPABILITIES: (REFERENCE SCHEMATIC)
 SWITCH PROVIDES AN OUTPUT @ 50mA SWITCHING CAPACITY
 WHEN AN AC PLUG IS INSERTED INTO THE OUTLET.
- TEXT AND GRAPHICS TO BE APPROXIMATELY AS SHOWN.
- OUTLET/USB FACE COLOR TO BE BLACK. TEXT AND GRAPHICS TO BE WHITE.



REVISION HISTORY				
ZONE	REV	DESCRIPTION	DATE	DRAWN
2C	A	CHANGED BACKSHELL. REMOVED MALE SCREWLOCKS. PROD. ARTICLES COMPLY.	03/22/16	CAS
-	B	MOVED VGA AND RS232 CONNECTORS TO FRONT OF BEZEL. PROD. ART. COMPLY.	03/22/16	CAS
BD	C	CONNECTOR J1 CONTROL WIRE WAS 20AWG. PROD. ARTICLES COMPLY.	05/03/18	CAS



WIRE DESCRIPTION - J1 (AC OUTLET)	
CONNECTOR DESCRIPTION	MATING CONNECTOR
206705-2 CONNECTOR	206708-1 CONNECTOR
206966-1 BACKSHELL	206966-1 BACKSHELL
66103-4 20GA PINS	66105-4 20GA SOCKETS
193844-1 14GA PINS	193846-1 14GA SOCKETS
PIN CIRCUIT DESCRIPTION	
1 +28VDC POWER	
2 GROUND	
3 WGM GND OUT (N.O. @ 50mA)	
4 NC	
5 28VDC OUT (N.O. @ 50mA)	
6 NC	
7 CONTACT B	
8 CONTACT A	
9 CONTACT C	

WIRE DESCRIPTION - P1 (VGA)	
CONNECTOR DESCRIPTION	MATING CONNECTOR
CBCT1W6F000 CONNECTOR	CBCT1W6M0000 CONNECTOR
165X1339X BACKSHELL	DC20963 BACKSHELL
	020418-2 BACKSHELL
	FEMALE JACKPOST
PIN CIRCUIT DESCRIPTION	CIRCUIT TYPE
1 DD2 SYNC DATA (SDA)	PASS THRU FROM VGA
2 DD2 SYNC CLOCK (SCL)	PASS THRU FROM VGA
3 NC	N/A
4 NC	N/A
5 DD2 GROUND (GND)	PASS THRU FROM VGA
6 NC	N/A
7 NC	N/A
8 NC	N/A
9 NC	N/A
10 NC	N/A
11 NC	N/A
12 NC	N/A
A1 H. SYNC	PASS THRU FROM VGA
A1(S) SYNC GROUND (SGND)	PASS THRU FROM VGA
A2 V. SYNC	PASS THRU FROM VGA
A2(S) SYNC GROUND (SGND)	PASS THRU FROM VGA
A3 GRN / Y	PASS THRU FROM VGA
A3(S) GRN GROUND (GGND)	PASS THRU FROM VGA
A4 RED / PB	PASS THRU FROM VGA
A4(S) RED GROUND (RGND)	PASS THRU FROM VGA
A5 BLU / PB	PASS THRU FROM VGA
A5(S) BLU GROUND (BGND)	PASS THRU FROM VGA

WIRE DESCRIPTION - P2 (RCA)	
CONNECTOR DESCRIPTION	MATING CONNECTOR
CBCT1W1F000 CONNECTOR	CBCT1W1M0000 CONNECTOR
DA20961 BACKSHELL	DA20961 BACKSHELL
020419-21 MALE SCREWLOCK	020418-2 FEMALE JACKPOST
PIN CIRCUIT DESCRIPTION	CIRCUIT TYPE
1 NC	N/A
2 NC	N/A
3 NC	N/A
4 AUDIO LEFT (+)	PASS THRU FROM RCA JACK
5 AUDIO RIGHT (+)	PASS THRU FROM RCA JACK
6 NC	N/A
7 NC	N/A
8 NC	N/A
9 AUDIO LEFT (-)	PASS THRU FROM RCA JACK
10 AUDIO RIGHT (-)	PASS THRU FROM RCA JACK
A1 VIDEO RETURN	PASS THRU FROM RCA JACK

WIRE DESCRIPTION - P3 (RS232)	
CONNECTOR DESCRIPTION	MATING CONNECTOR
DE4894 CONNECTOR	DE4894 CONNECTOR
DE4894 BACKSHELL	DE4894 BACKSHELL
020419-21 MALE SCREWLOCK	020418-2 FEMALE JACKPOST
PIN CIRCUIT DESCRIPTION	CIRCUIT TYPE
1 DATA CARRIER DETECT (DCD)	PASS THRU FROM RS232
2 RECEIVE DATA (RX)	PASS THRU FROM RS232
3 TRANSMIT DATA (TX)	PASS THRU FROM RS232
4 DATA TERMINAL READY (DTR)	PASS THRU FROM RS232
5 SIGNAL GROUND (GND)	PASS THRU FROM RS232
6 DATA SET READY (DSR)	PASS THRU FROM RS232
7 REQUEST TO SEND (RTS)	PASS THRU FROM RS232
8 CLEAR TO SEND (CTS)	PASS THRU FROM RS232
9 RING INDICATOR	PASS THRU FROM RS232

MID CONTINENT CONTROLS, INC.
 901 NORTH RIVER, DERBY, KS 67037 (316)789-0088

OUTLET - COMBO

FINISH: PER CUSTOMER

MATERIAL: N/A

UNLESS OTHERWISE SPECIFIED, DIMENSIONS ARE IN INCHES

SIZE DRAWN: D DATE: 01/22/2016

DWG NO.: 106305

REV: C

SCALE: 1/1 SHEET 17 OF

ORDER NO.	DESCRIPTION
106305-17	OUTLET - COMBO