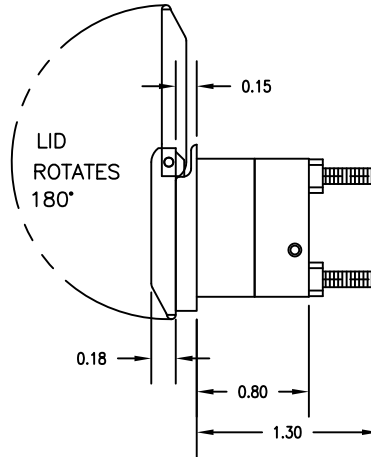
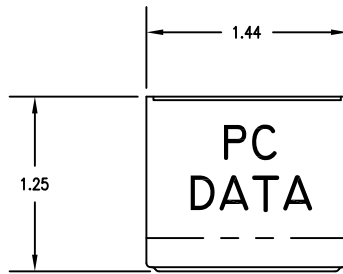
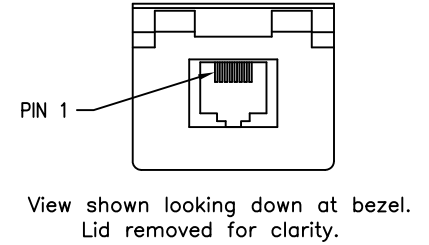


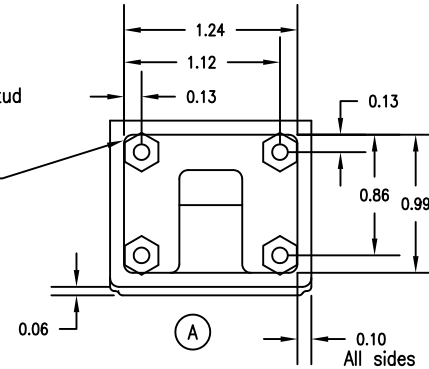
NOTES:

1. RJ45 Jack is P/N TM11R-5C-88-0 of Hirose Electronic Co. Ltd.
2. Pigtail to be minimum of 12" in length.
3. Lid is spring loaded to shut when not in use.
4. Text on lid is to be 0.25" tall, engraved as shown

| REVISIONS | | | |
|-----------|----------------------------------|------------|-------|
| REV | DESCRIPTION | DATE | DRAWN |
| A | BACKPLATE WAS SHOWN UPSIDE DOWN. | 04/03/2003 | GBE |
| B | MADE INTO BOOKFORM. | 10/01/2008 | AJW |



4-40 Mtg. Stud
4 plcs
R0.06 typ
4 plcs



| WIRING DESCRIPTION -1 | |
|---------------------------|------------------|
| P/N | DESCRIPTION |
| DEMA9P | CONNECTOR |
| DE44994 | BACKSHELL |
| D20419-21 | SCREW LOCKS |
| MATING CONNECTOR - DEMA9S | |
| P/N of IIT Cannon | |
| PIN DESCRIPTION | |
| 1 | PIN 1 DATA JACK |
| 2 | PIN 2 DATA JACK |
| 3 | PIN 3 DATA JACK |
| 4 | PIN 4 DATA JACK |
| 5 | PIN 5 DATA JACK |
| 6 | PIN 6 DATA JACK |
| 7 | PIN 7 DATA JACK |
| 8 | PIN 8 DATA JACK |
| 9 | SHIELD DATA JACK |

| ORDER NUMBER | DESCRIPTION |
|--------------|---|
| 106084-1 | PC DATA ASSY W/LID (SHIELDED JACK), PC DATA |

| | | | |
|---|-----------|--|----------------|
| <small>THIS DRAWING CONTAINS PROPRIETARY INFORMATION AND TECHNICAL MATERIAL THAT ARE THE SOLE PROPERTY OF MID CONTINENT CONTROLS, INC. THIS MATERIAL SHOULD BE TREATED AS CONFIDENTIAL BY ITS RECIPIENT AND SHOULD NOT BE SHOWN OR DISCLOSED TO ANY ORGANIZATION OR PERSON WITHOUT FIRST OBTAINING WRITTEN PERMISSION FROM MID CONTINENT CONTROLS, INC.</small> | | Mid Continent Controls, Inc. (316)789-0088 | |
| | | 901 N.River, Derby, KS 67037 | |
| FINISH: per customer P.O. | | PC DATA ASSY W/LID (SHIELDED JACK) | |
| MATERIAL: N/A | SIZE B | DRAWN GBE | DWG NO. 106084 |
| TOLERANCE: ±0.010" UNLESS NOTED | SCALE 1:1 | DATE 11/21/2002 | SHEET 1 OF |