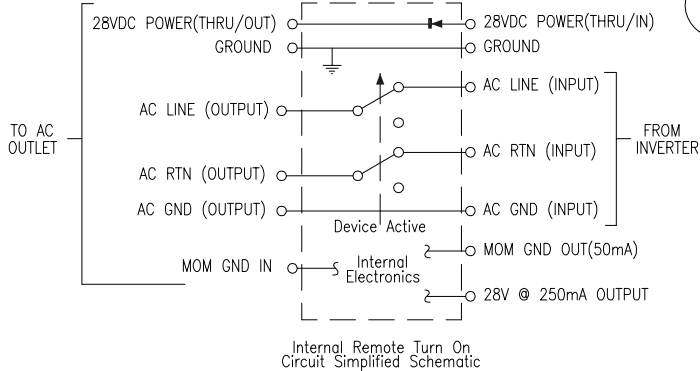
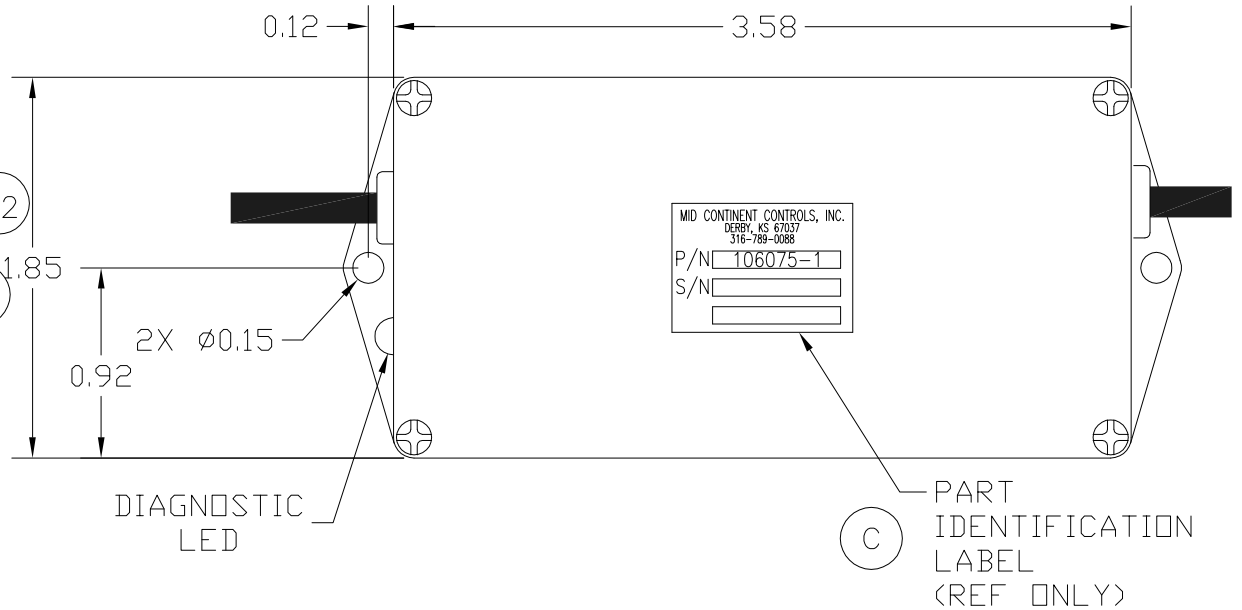


NOTES:

- 1) PIGTAIL LENGTH TO BE A MINIMUM OF 6"
- 2) AC LINES ARE NOT PROTECTED WITHIN THIS MODULE. AC PROTECTION MUST BE PROVIDED WITH EXTERNAL BREAKERS.
- 3) TEST PER MCC-14-740.
- 4) FUNCTIONAL DESCRIPTION: SEE MCC-19-033. (D)
- 5) P/N OF AMP.
- 6) ALL WIRING MEETS M22759/11 SPEC
- 7) AC WIRING TO BE 14 AWG. (A3)
- 8) AC CURRENT RATED TO 15 AMPS
- 9) +28V, DC RETURN, CONTROL WIRES TO BE 24 AWG.
- 10) 28V CURRENT REQUIREMENTS:
75ma + OUTPUT CURRENT ON PIN 5 (28V OUTPUT)
- 11) FOR PARTS LIST SEE: 806169-001
- 12) WEIGHT: 9.0 OZ (F)
- 13) MATING CONNECTOR KITS FOR CONNECTORS 1, AND 2 ARE MCCI P/N: 856001-1, AND 856002-1 RESPECTIVELY
- 14) ORDER NUMBER IS 106075-1. (A2)



REVISIONS			
REV	DESCRIPTION	DATE	DRAWN
A	1. ADDED CALLOUT FOR PINS AND SOCKETS. 2. ADDED NOTE 13. 3. NOTE 9 WAS CALLOUT FOR 20AWG WIRE.	12/09/2002	GBE
B	Corrected revision level in title block.	01/14/2002	GBE
C	ADDED PART ID LABEL AND CALLOUT	05/06/03	RAH
D	CORRECTED NOTE 3. WAS "TEST PER MCC-14-457".	07/15/04	DLS
E	ADDED NOTE 14	9/28/05	GBE
F	REMOVED NOTE 11	9/29/08	AJW
G	DIAMETER WAS .125. PRODUCTION ARTICLES COMPLY.	05/10/18	TRH



CONNECTOR #1 DESCRIPTION		CONNECTOR #2 DESCRIPTION	
TO OUTLET		TO INVERTER	
206708-1 PLUG	5	206705-2 RECPT	5
206966-1 CLAMP	5	206966-1 CLAMP	5
66105 SOCKETS-24Ga WIRE		66103 PINS-24Ga WIRE	
193846 SOCKETS-14Ga WIRE		193844 PINS-14Ga WIRE	
MATING CONNECTOR		MATING CONNECTOR	
206705-2 RECPT	5	206708-1 PLUG	5
206966-1 CLAMP	5	206966-1 CLAMP	5
66103 PINS-24Ga WIRE		66105 SOCKETS-24Ga WIRE	
193844 PINS-14Ga WIRE		193846 SOCKETS-14Ga WIRE	
PIN	WIRE DESCRIPTION	PIN	WIRE DESCRIPTION
1	28VDC POWER<THRU/OUT>	1	28VDC POWER<THRU/IN>
2	GROUND	2	GROUND
3	MOM GND IN	3	MOM GND OUT<50mA>
4	NC	4	NC
5	NC	5	28V @ 250mA OUTPUT
6	NC	6	NC
7	AC LINE <OUTPUT>	7	AC LINE <INPUT>
8	AC GND <OUTPUT>	8	AC GND <INPUT>
9	AC RTN <OUTPUT>	9	AC RTN <INPUT>

THIS DRAWING CONTAINS PROPRIETARY INFORMATION AND TECHNICAL MATERIAL THAT ARE THE SOLE PROPERTY OF MID CONTINENT CONTROLS, INC. THIS MATERIAL SHOULD BE TREATED AS CONFIDENTIAL BY ITS RECIPIENT AND SHOULD NOT BE SHOWN OR DISCLOSED TO ANY ORGANIZATION OR PERSON WITHOUT FIRST OBTAINING WRITTEN PERMISSION FROM MID CONTINENT CONTROLS, INC.

Mid Continent Controls, Inc. (316)789-0088
901 N. River Derby, KS 67037

FINISH: ANODIZE TYPE II, CLASS 2, BLACK/MIL-A-8625

AC POWER CONTROLLER (110/220V 15AMP)

MATERIAL: N/A

SIZE A	DRAWN TLP	DWG NO. 106075	REV G
--------	-----------	----------------	-------

TOLERANCE: ± 0.010" UNLESS NOTED

SCALE 1:1	DATE 10/08/2002	SHEET 1 OF 1
-----------	-----------------	--------------