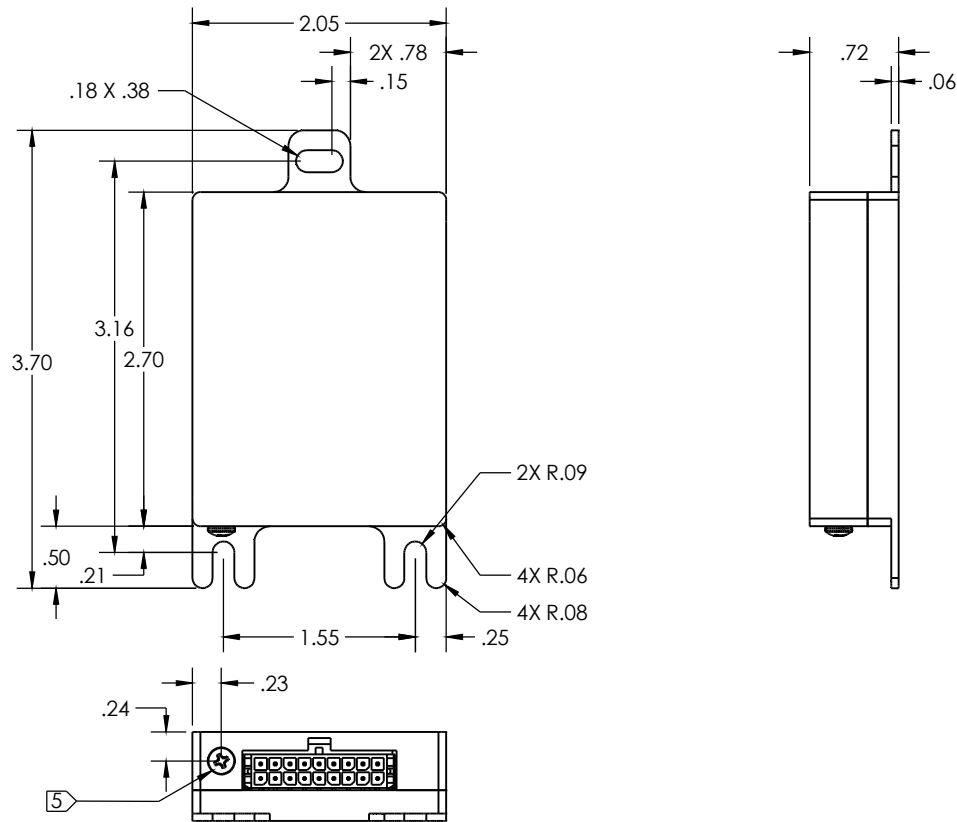


NOTES:

1. MODULE IS CAPABLE OF SUPPLYING 5V, 9V, OR 15V AT 3A PER USB PD 3.0
2. REFER TO MCC-19-340 FOR GENERAL OPERATIONAL/INSTALLATION INFORMATION.
3. ALL MATERIALS TO MEET FLAMMABILITY REQUIREMENTS OF 14 CFR 25.853a.
4. P/N OF MOLEX.
5. MODULE IS TO BE GROUNDED THROUGH THE SUPPLIED #4-40 SCREW.
6. CONNECT USB-A MODE TO USB-C CC1 (PIN6) TO PUT MODULE INTO LEGACY ONLY MODE (5V AT 3A).

REVISIONS				
ZONE	REV.	DESCRIPTION	DATE	DRAWN
	A	REDRAWN WITH CHANGES. PRODUCTION ARTICLES COMPLY	3/14/2018	TDM



CONNECTOR DESCRIPTION			
CONNECTOR - J1		MATING CONNECTOR	
43045-1821	CONNECTOR	43025-1800	CONNECTOR
N/A	PINS	43030-0008	SOCKET
PIN	CIRCUIT	DESCRIPTION	
1	28VDC	DC SUPPLY VOLTAGE	
2	GND	DC RETURN	
3	NC	N/A	
4	RESERVED	RESERVED FOR FUTURE USE	
5	USB-A MODE	USB PORT CONFIGURATION	
6	USB-C CC1	USB-C PORT COMMUNICATION	
7	USB-C BOTTOM DATA+	USB-C PORT COMMUNICATION	
8	USB-C TOP DATA+	USB-C PORT COMMUNICATION	
9	RESERVED	PASS THROUGH DATA INPUT	
10	NC	N/A	
11	RESERVED	RESERVED FOR FUTURE USE	
12	RESERVED	RESERVED FOR FUTURE USE	
13	USB-C GND	USB-C PORT GROUND	
14	USB-C VBUS	USB-C PORT BUS VOLTAGE	
15	USB-C CC2	USB-C PORT COMMUNICATION	
16	USB BOTTOM DATA-	USB-C PORT COMMUNICATION	
17	USB TOP DATA-	USB-C PORT COMMUNICATION	
18	RESERVED	RESERVED FOR FUTURE USE	

THIS DRAWING CONTAINS PROPRIETARY INFORMATION AND TECHNICAL MATERIAL THAT ARE THE SOLE PROPERTY OF MID CONTINENT CONTROLS, INC. THIS MATERIAL SHOULD BE TREATED AS CONFIDENTIAL BY ITS RECIPIENT AND SHOULD NOT BE SHOWN OR DISCLOSED TO ANY ORGANIZATION OR PERSON WITHOUT FIRST OBTAINING WRITTEN PERMISSION FROM MID CONTINENT CONTROLS, INC.

FINISH: IRIDIUM TYPE I, CLASS 3, GOLD

MATERIAL: N/A

UNLESS OTHERWISE SPECIFIED: DIMENSIONS ARE IN INCHES. TOLERANCES ARE:  
 DECIMALS ANGLES  
 .X = .1 ± 1°  
 .XX = .01  
 .XXX = .005

MID CONTINENT CONTROLS, INC.

901. NORTH RIVER DERBY, KS 67037 (316)789-0088

TITLE: MODULE - USB-C

SIZE: B DRAWN: TDM DWG NO.: 106440 REV: A

SCALE: 1:1 UNLESS NOTED DATE: 01/03/2018 SHEET: 1 OF 1

ORDER NUMBER	DESCRIPTION
106440-1	MODULE - USB-C CHARGER