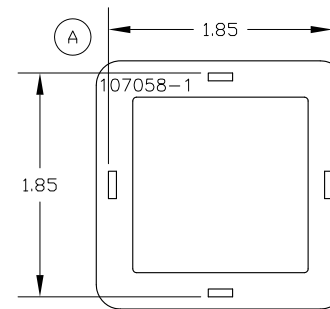
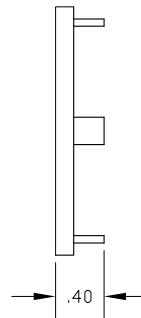
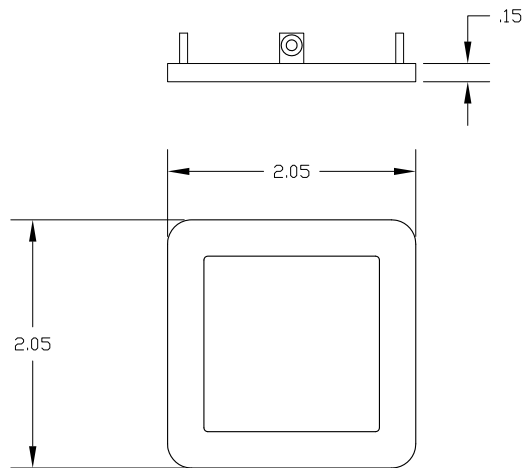


NOTES:

1. REFERENCE MCC-19-287 FOR INSTALLATION AND ASSEMBLY INFORMATION.
2. TEXT TO BE ENGRAVED APPROXIMATELY AS SHOWN.

(A)

REVISION HISTORY			
REV	DESCRIPTION	DATE	DRAWN
A	ADDED ENGRAVED TEXT	1/17/14	AJH



THIS DRAWING CONTAINS PROPRIETARY INFORMATION AND TECHNICAL MATERIAL THAT ARE THE SOLE PROPERTY OF MID CONTINENT CONTROLS, INC. THIS MATERIAL SHOULD BE TREATED AS CONFIDENTIAL BY ITS RECIPIENT AND SHOULD NOT BE SHOWN OR DISCLOSED TO ANY ORGANIZATION OR PERSON WITHOUT FIRST OBTAINING WRITTEN PERMISSION FROM MID CONTINENT CONTROLS, INC.

FINISH: PER CUSTOMER PURCHASE ORDER

MATERIAL: ALUM. 6061-T6

UNLESS OTHERWISE SPECIFIED:
DIMENSIONS ARE IN INCHES.
TOLERANCES ARE:
DECIMALS± .XX=.01
.XXX=.005

MID CONTINENT CONTROLS, INC.
901 NORTH RIVER DERBY, KS 67037 (316)789-0088

TITLE REMOVABLE BEZEL - {SINGLE}

DERIVED FROM N/A

SIZE	DRAWN	DWG NO.	REV
B	CAS	107058	A
SCALE	DATE	SHEET	OF
1/1	10/17/2013	01	OF

ORDER NUMBER	DESCRIPTION
107058-1	REMOVABLE BEZEL - {SINGLE}, ENGRAVED, {BLANK}