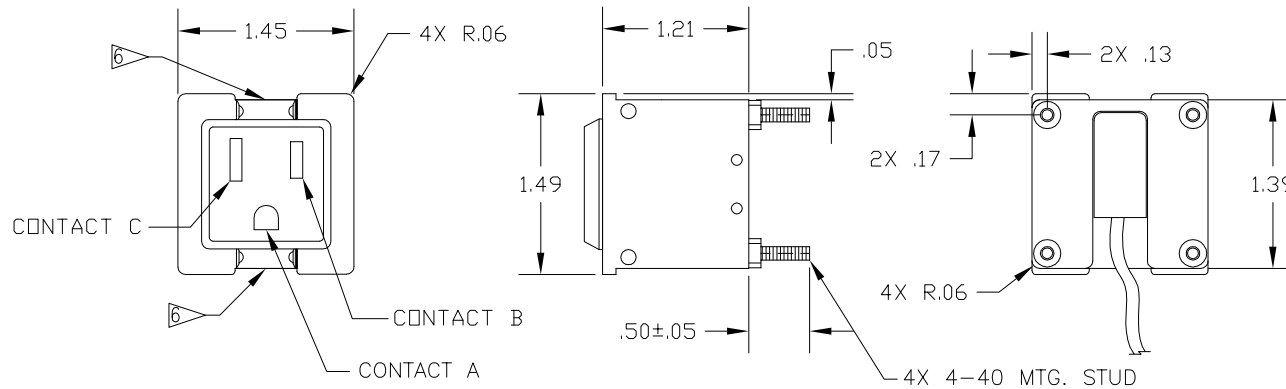
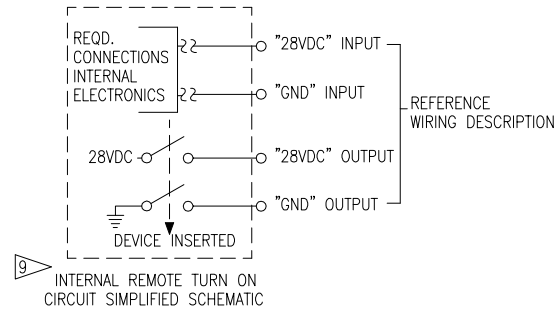


NOTES

1. OUTLET RATING: 125VAC @ 15A.
2. PIGTAIL LENGTH TO BE 12" MINIMUM FROM THE END OF HOUSING, APPROXIMATELY AS SHOWN.
3. ALL WIRE TO BE PER MIL-W-22759.  
AC VOLTAGE WIRE TO BE 14AWG.
4. OUTLET IS NEMA 5-15R TYPE ELECTRICAL OUTLET. COLOR IS BLACK.
5. REFERENCE MCC-19-068 FOR OPERATIONAL INFORMATION.
6. REMOVABLE BEZEL MOUNTS ON ATTACH POINTS (NOT INCLUDED; ORDER 107082 SERIES).  
PART NUMBER OF AMP.
7. MATING CONNECTOR KIT AVAILABLE AS MCCI P/N: 856002-1.
8. OUTLET ASSY. PROVIDES REMOTE TURN ON CAPABILITIES: (REFERENCE SCHEMATIC)  
SWITCH PROVIDES AN OUTPUT @ 50mA SWITCHING CAPACITY  
WHEN AN AC PLUG IS INSERTED INTO THE OUTLET.

REVISION HISTORY

REV	DESCRIPTION	DATE	DRAWN
-----	-------------	------	-------



WIRE DESCRIPTION - 1 AC OUTLET			
CONNECTOR DESCRIPTION		MATING CONNECTOR <span style="border: 1px solid black; padding: 0 2px;">8</span>	
PART NUMBER <span style="border: 1px solid black; padding: 0 2px;">7</span>		PART NUMBER <span style="border: 1px solid black; padding: 0 2px;">7</span>	
206705-2	CONNECTOR	206708-1	CONNECTOR
206966-1	BACKSHELL	206966-1	BACKSHELL
66103-4	24GA PINS	66105-4	24GA SOCKETS
193844-1	14GA PINS	193846-1	14GA SOCKETS
PIN	CIRCUIT DESCRIPTION		
1	+28VDC POWER		
2	GROUND		
3	MOM GND OUT (N.O. @ 50mA) <span style="border: 1px solid black; padding: 0 2px;">9</span>		
4	NC		
5	28VDC OUT (N.O. @ 50mA) <span style="border: 1px solid black; padding: 0 2px;">9</span>		
6	NC		
7	CONTACT B		
8	CONTACT A		
9	CONTACT C		

THIS DRAWING CONTAINS PROPRIETARY INFORMATION AND TECHNICAL MATERIAL THAT ARE THE SOLE PROPERTY OF MID CONTINENT CONTROLS, INC. THIS MATERIAL SHALL BE TREATED AS CONFIDENTIAL BY THE RECIPIENT AND SHOULD NOT BE SHOWN OR DISCLOSED TO ANY ORGANIZATION OTHER THAN THE RECIPIENT WITHOUT OBTAINING WRITTEN PERMISSION FROM MID CONTINENT CONTROLS, INC.

FINISH: ANODIZE TYPE II, CLASS 5, BLACK, MIL-A-8625

MATERIAL: N/A

UNLESS OTHERWISE SPECIFIED: DIMENSIONS ARE IN INCHES. TOLERANCES ARE:  
DECIMALS ± .01 ANGLES ± 1°  
.XX = .01  
.XXX = .005

MID CONTINENT CONTROLS, INC.  
901 NORTH RIVER DERBY, KS 67037 (316)789-0088

TITLE  
OUTLET

DERIVED FROM N/A

ORDER NUMBER	DESCRIPTION
106431-1	OUTLET - N. AMER. @ 15A

SIZE	DRAWN	CAS	DWG NO.	REV
B			106431	IR
SCALE	1/1	DATE	05/03/2016	SHEET 01 OF