

4

3

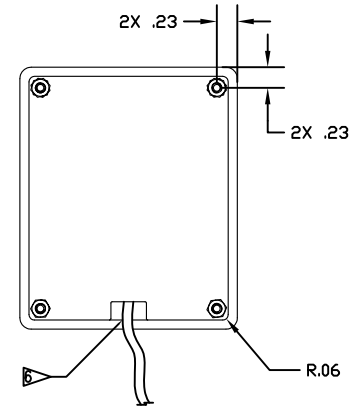
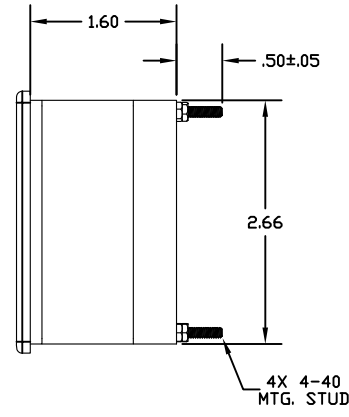
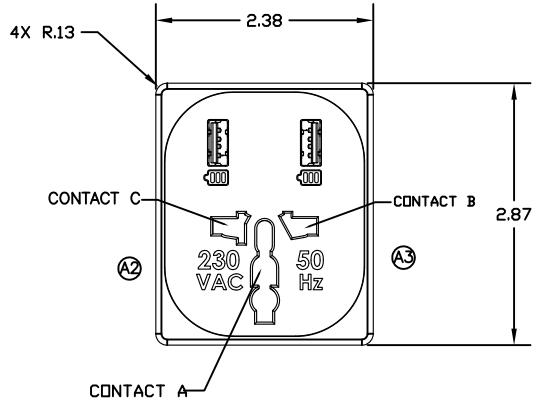
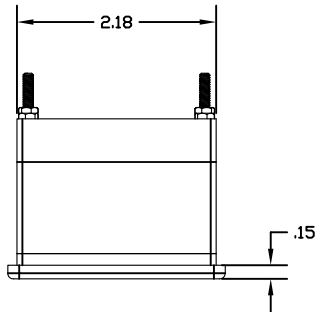
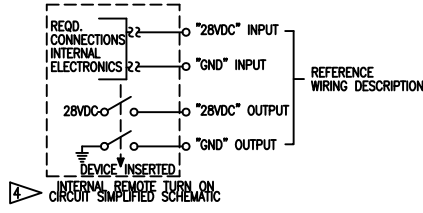
2

1

REVISION HISTORY				
ZONE	REV	DESCRIPTION	DATE	DRAWN
4	A	1. UPDATED NOTES. 2. REMOVED LED INDICATOR. 3. UPDATED TEXT FONT.	06/03/2015	KMM

NOTES: (A1)

- EACH USB PORT IS TYPE A & PROVIDES 12W MAX POWER. INPUT CURRENT ON PIN 1 MAX 1A @ 28VDC AC OUTLET POWER RATING OF 15A MAX.
- TEXT AND GRAPHICS TO BE APPROXIMATELY AS SHOWN.
- REFERENCE MCC-19-299 FOR OPERATIONAL INFORMATION. OUTLET ASSY. PROVIDES REMOTE TURN ON CAPABILITIES. (REFERENCE SCHEMATIC) SWITCH PROVIDES AN OUTPUT @ 50mA SWITCHING CAPACITY. PART NUMBER OF TE CONNECTIVITY.
- WIRE BUNDLE TO EXIT WHERE SHOWN. PIGTAIL LENGTH TO BE MINIMUM OF 10". REFERENCE WIRING DESCRIPTION CHART FOR CONNECTOR PINOUTS.
- ALL WIRE TO BE PER MIL-W-22759.
- ALL AC WIRE TO BE 14AWG.
- OUTLET AND USB PORTS HAVE INTERNAL BLUE ILLUMINATION.
- MATING CONNECTOR KIT P/N: 856002-1
- OUTLET/USB FACE COLOR TO BE BLACK. TEXT AND GRAPHICS TO BE WHITE.



WIRE DESCRIPTION	
CONNECTOR DESCRIPTION	MATING CONNECTOR (B)
PART NUMBER (S)	PART NUMBER (S)
206705-2 CONNECTOR	206708-1 CONNECTOR
206966-1 BACKSHELL	206966-1 BACKSHELL
193844-1 14GA PINS	193846-1 14GA SOCKETS
66103-4 20GA PINS	66105-4 20GA SOCKETS
PIN	CIRCUIT DESCRIPTION
1	+28VDC POWER
2	GROUND
3	MOM GND OUT (N.O. @ 50mA) (4)
4	NC
5	28VDC OUT (N.O. @ 50mA) (4)
6	NC
7	CONTACT B
8	CONTACT A
9	CONTACT C

MID CONTINENT CONTROLS, INC.
901 NORTH RIVER DERBY, KS 67037 (316)789-0088

FINISH: PER CUSTOMER PURCHASE ORDER
MATERIAL: N/A

UNLESS OTHERWISE SPECIFIED: DIMENSIONS ARE IN INCHES. TOLERANCES ARE: .010 ±.005 ANGLES 2.1°

TITLE: OUTLET - COMBO
DERIVED FROM: N/A
SIZE DRAWN: C KMM DWG NO. 106409 REV A
SCALE: 1/1 DATE: 04/16/2015 SHEET 3 OF

ORDER NO.	DESCRIPTION
106409-3	OUTLET - COMBO, USB/USB/INTL

4

3

2

1