

4

3

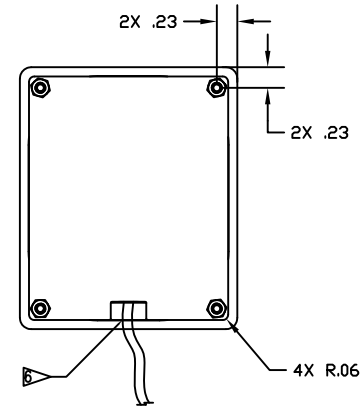
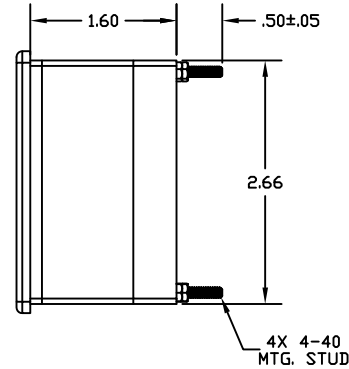
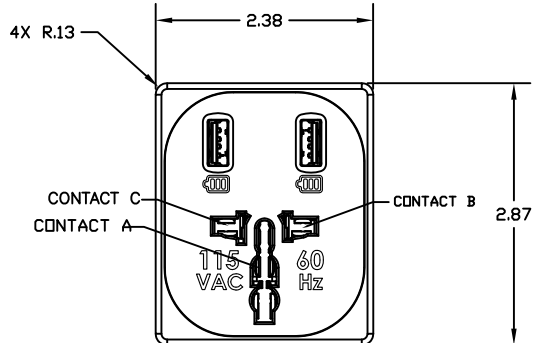
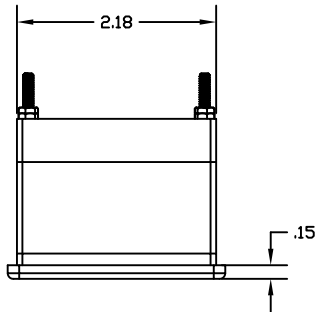
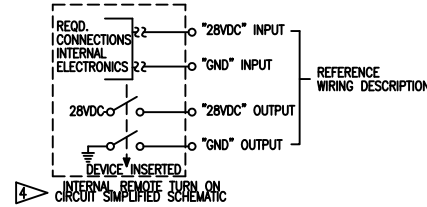
2

1

REVISION HISTORY				
ZONE	REV	DESCRIPTION	DATE	DRAWN
ALL	A	REDRAWN WITH CHANGE.	5/5/2015	TRH

NOTES:

- EACH USB PORT IS TYPE A & PROVIDES 12W MAX POWER. INPUT CURRENT ON PIN 1 MAX 1A @ 28VDC AC OUTLET POWER RATING OF 15A MAX.
- TEXT AND GRAPHICS TO BE APPROXIMATELY AS SHOWN.
- REFERENCE MCC-19-299 FOR OPERATIONAL INFORMATION. OUTLET ASSY. PROVIDES REMOTE TURN ON CAPABILITIES. (REFERENCE SCHEMATIC) SWITCH PROVIDES AN OUTPUT @ 50mA SWITCHING CAPACITY. PART NUMBER OF TE CONNECTIVITY.
- WIRE BUNDLE TO EXIT WHERE SHOWN. PIGTAIL LENGTH TO BE MINIMUM OF 10". REFERENCE WIRING DESCRIPTION CHART FOR CONNECTOR PINOUTS. ALL WIRE TO BE PER MIL-W-22759.
- ALL AC WIRE TO BE 14AWG.
- OUTLET AND USB PORTS HAVE INTERNAL BLUE ILLUMINATION. MATING CONNECTOR KIT P/N: 856002-1
- OUTLET/USB FACE COLOR TO BE BLACK. TEXT AND GRAPHICS TO BE WHITE.



WIRE DESCRIPTION	
CONNECTOR DESCRIPTION	MATING CONNECTOR < 8
PART NUMBER < 5	PART NUMBER < 5
206705-2 CONNECTOR	206708-1 CONNECTOR
206966-1 BACKSHELL	206966-1 BACKSHELL
193844-1 14GA PINS	193846-1 14GA SOCKETS
66103-4 20GA PINS	66105-4 20GA SOCKETS
PIN	CIRCUIT DESCRIPTION
1	+28VDC POWER
2	GROUND
3	MOM GND OUT (N.O. @ 50mA) < 4
4	NC
5	28VDC OUT (N.O. @ 50mA) < 4
6	NC
7	CONTACT B
8	CONTACT A
9	CONTACT C

MID CONTINENT CONTROLS, INC.
 901 NORTH RIVER DERBY, KS 67037 (316)789-0088

FINISH: PER CUSTOMER PURCHASE ORDER
 MATERIAL: N/A

UNLESS OTHERWISE SPECIFIED:
 DIMENSIONS ARE IN INCHES.
 TOLERANCES ARE:
 DECIMALS: .01
 ANGLES: ±1°
 FRACTIONS: .005

TITLE: OUTLET - COMBO
 DERIVED FROM: N/A
 SIZE DRAWN: C KMM DWG NO. 106409 REV A
 SCALE: 1/1 DATE: 03/05/2015 SHEET 1 OF

ORDER NO.	DESCRIPTION
106409-1	OUTLET - COMBO, USB/USB/UNIV

4

3

2

1