

4

3

2

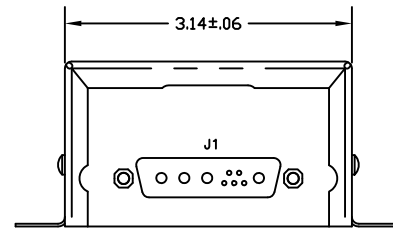
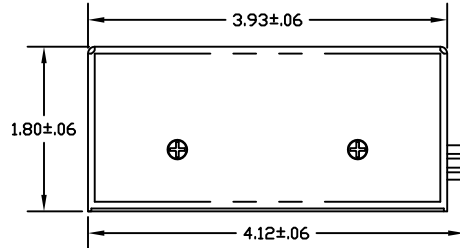
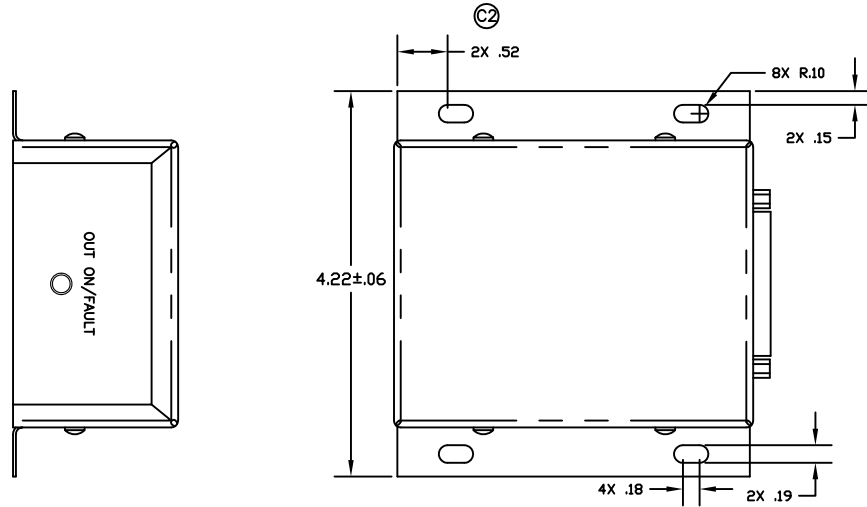
1

NOTES:

- 1. REFERENCE MCC-19-286 FOR OPERATION INFORMATION.
- 2. THIS MODULE PROVIDES REMOTE TURN ON CAPABILITIES. P/N OF ITT CANNON.
- 3. AC CURRENT RATED TO: 15 AMPS MAX.
- 4. 106393-1: 15 AMPS FOR 115VAC PER OUTLET, 7.5 AMPS FOR 230VAC. 106393-2: 6 AMPS FOR 115VAC PER OUTLET, 3 AMPS FOR 230VAC. MATING CONNECTOR KIT AVAILABLE AS MCC1 P/N: 856026-1 FOR J1. P/N OF CONEC, INC.

(A)

REVISION HISTORY				
ZONE	REV	DESCRIPTION	DATE	DRAWN
-	A	ADDED NOTE 6. CHANGED PART NUMBER CALLOUT.	10/25/2013	CAS
-	B	SCREWLOCKS WERE FEMALE CALLOUT.	11/13/2013	CAS
-	C	1. ADDED -2. 2. DIMENSION WAS .55	06/12/2015	KMM



WIRE DESCRIPTION J1		
CONNECTOR DESCRIPTION	MATING CONNECTOR (5)	
PART NUMBER	PART NUMBER (OR APPLICABLE EQUIVALENT)	
DBMM9W4PF (3) CONNECTOR	3009W4SXK99A10X (6) CONNECTOR	
	DB24659 (4) BACKSHELL	
	D20419-21 (7) SCREWLOCKS	
	031-1007-078 (8) 24GA SOCKETS	
	132C11029X (9) 14GA SOCKETS	
PIN	CIRCUIT DESCRIPTION	CIRCUIT TYPE
1	+28VDC POWER	DC SUPPLY POWER
2	GROUND	DC RETURN
3	RTO - MOM. GND	MOM. GND OUT (N.O. @ 50mA)
4	NC	NC
5	RTO - +28V	+28V OUT (N.O. @ 50mA)
A1	AC LINE	AC INPUT
A2	AC RETURN	AC INPUT
A3	AC LINE OUTPUT	AC OUTPUT
A4	AC RETURN OUTPUT	AC OUTPUT

UNLESS OTHERWISE SPECIFIED:
DIMENSIONS ARE IN INCHES.
TOLERANCES ARE:
FRACTIONS DECIMALS ANGLES
±.01 ±.005 ±1°
X.XX=305

MID CONTINENT CONTROLS, INC.
901 NORTH RIVER DERBY, KS 67037 (316)789-0088
TITLE
PWR CTRL
DERIVED FROM N/A
SIZE DRAWN DWG NO. REV
C CAS 106393 C
SCALE 1/1 DATE 10/18/2013 SHEET 01 OF 01

ORDER NO.	DESCRIPTION
106393-1	PWR CTRL - W/AUTO SENSING, 1X1
106393-2	PWR CTRL - W/AUTO SENSING, 1X1

(C1)

4

3

2

1