

4

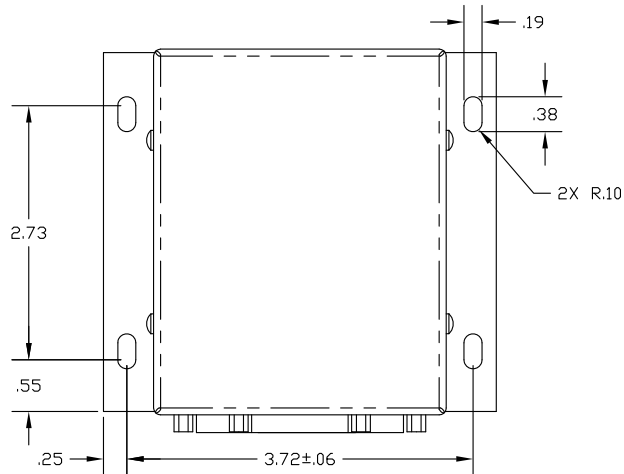
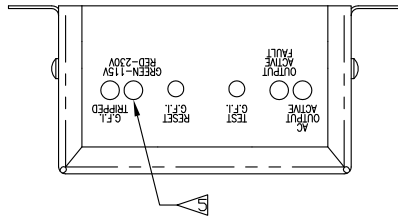
3

2

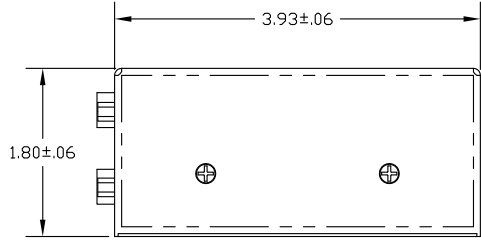
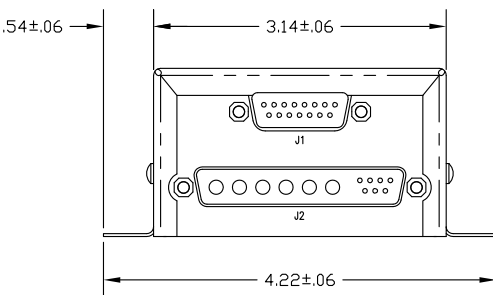
1

- NOTES:
- AC LINES ARE NOT CURRENT LIMITED WITHIN THIS MODULE. AC LINE CURRENT LIMIT MUST BE PROVIDED WITH EXTERNAL BREAKERS. AC CURRENT SHOULD NOT EXCEED 20 AMPS. P/N OF CONEC INC.
 - PINS 7, 8, & 9 ARE USED ONLY IF REMOTE 'TEST/RESET' PANEL IS USED.
 - INSTALLATION AND OPERATION: SEE MCC-19-244.
 - LED WILL INDICATE SYSTEM VOLTAGE. GREEN IS 115 VAC, RED IS 230 VAC.
 - TYPICAL FAULT CURRENT SENSITIVITY: 6 - 10mA.
 - UNIT SHOULD BE TESTED PERIODICALLY TO INSURE PROPER OPERATION.
 - P/N OF ITT CANNON.
 - MATING CONNECTOR KIT AVAILABLE AS MCCI P/N: 856019-1 & 856018-1 FOR CONNECTORS J1 & J2 RESPECTIVELY.
 - J1 PINS 4 AND 6 SHOULD BE SET BASED ON THE SYSTEM AC VOLTAGE. SEE TABLE FOR POSSIBLE STATES.

REVISION HISTORY				
ZONE	REV	DESCRIPTION	DATE	DRAWN



SYSTEM VOLTAGE	J1, PIN 4	J1, PIN 6
230 VAC	FLOAT	FLOAT
115 VAC	FLOAT	GND
115 VAC	+28VDC	FLOAT
115 VAC	+28VDC	GND



WIRE DESCRIPTION - J1		
CONNECTOR DESCRIPTION	MATING CONNECTOR	
PART NUMBER	PART NUMBER (OR APPLICABLE EQUIVALENT)	
DAMA15P CONNECTOR	DAMA15S CONNECTOR	DA20419-21 MALE SCREWLOCK BACKSHELL
D20418-2 FEMALE JACKPOST	DA20419-21 MALE SCREWLOCK BACKSHELL	031-1007-078 CRIMP SOCKET
PIN	CIRCUIT DESCRIPTION	CIRCUIT TYPE
1	28VDC	DC SUPPLY VOLTAGE
2	GND	DC RETURN
3	NO CONNECT (RESERVED)	NA
4	115 / 230 VAC SELECT INPUT	28VDC INPUT @ 10mA
5	NO CONNECT (RESERVED)	NA
6	115 / 230 VAC SELECT INPUT	GND INPUT @ 10mA
7	REMOTE 'TEST' INPUT	GND INPUT @ 10mA
8	REMOTE 'RESET' INPUT	GND INPUT @ 10mA
9	REMOTE 'TRIP' INDICATOR OUTPUT	GND OUTPUT @ 50mA
10	NC	NA
11	NC	NA
12	NC	NA
13	NC	NA
14	NC	NA
15	NC	NA

WIRE DESCRIPTION - J2		
CONNECTOR DESCRIPTION	MATING CONNECTOR	
PART NUMBER	PART NUMBER (OR APPLICABLE EQUIVALENT)	
5013W6PCT56A30X CONNECTOR	5013W6SXK99A10X CONNECTOR	
D20418-2 FEMALE JACKPOST	132CI1029X CRIMP SOCKETS	
PIN	CIRCUIT DESCRIPTION	CIRCUIT TYPE
A1	AC LINE (OUTPUT - 20A MAX.)	115 / 230 VAC OUTPUT
A2	AC RTN (OUTPUT - 20A MAX.)	115 / 230 VAC OUTPUT
A3	AC GND (OUTPUT)	115 / 230 VAC OUTPUT
A4	AC GND (INPUT)	115 / 230 VAC INPUT
A5	AC RTN (INPUT)	115 / 230 VAC INPUT
A6	AC LINE (INPUT)	115 / 230 VAC INPUT
1	NC	NA
2	NC	NA
3	NC	NA
4	NC	NA
5	NC	NA
6	NC	NA
7	NC	NA

THIS DRAWING CONTAINS PROPRIETARY INFORMATION AND IS THE PROPERTY OF MID CONTINENT CONTROLS, INC. THAT ARE CONFIDENTIAL AND UNPUBLISHED. ANY REPRODUCTION OR DISSEMINATION OF THIS DRAWING WITHOUT THE WRITTEN PERMISSION OF MID CONTINENT CONTROLS, INC. IS STRICTLY PROHIBITED. IF YOU ARE NOT AN EMPLOYEE OF MID CONTINENT CONTROLS, INC. YOU ARE NOT TO DISSEMINATE OR REPRODUCE THIS DRAWING WITHOUT THE WRITTEN PERMISSION FROM MID CONTINENT CONTROLS, INC.

FINISH: ANODIZE, TYPE II, BLACK / MIL-A-8625

MATERIAL: N/A

UNLESS OTHERWISE SPECIFIED: DIMENSIONS ARE IN INCHES. TOLERANCES ARE: .XX = .01 .XXX = .005 ANGLES ±1°

MID CONTINENT CONTROLS, INC.
901 NORTH RIVER DERBY, KS 67037 (316)789-0088
TITLE: GROUND FAULT INTERRUPTER (115 / 230)
DERIVED FROM N/A

SIZE DRAWN: C DWG NO. 106362 REV IR
SCALE: 1/1 DATE: 03/01/2011 SHEET: 1 OF 1

ORDER NO.	DESCRIPTION
106362-1	GROUND FAULT INTERRUPTER (115/230)

4

3

2

1