

4

3

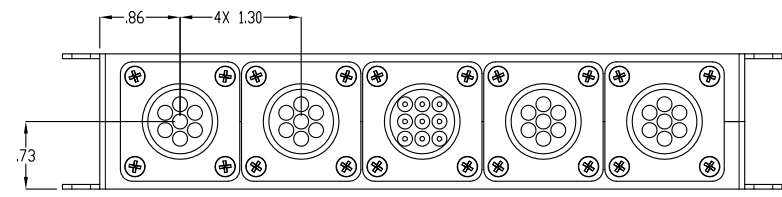
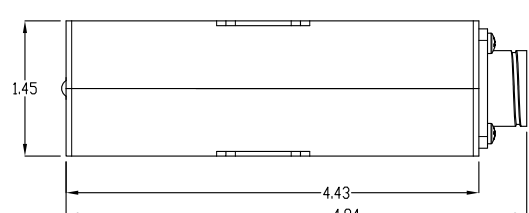
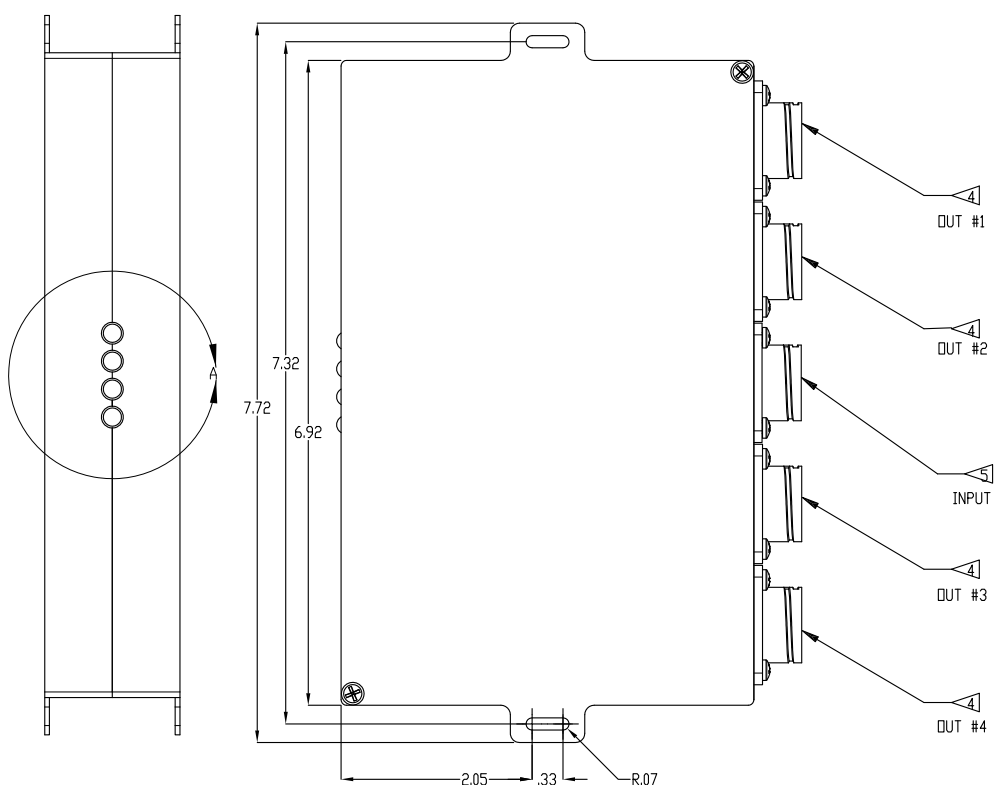
2

1

NOTES:

1. REFERENCE MCC-19-229 FOR OPERATION INFORMATION. THIS MODULE PROVIDES REMOTE TURN ON CAPABILITIES. P/N OF AMP.
2. CONNECTION TO OUTLET.
3. CONNECTION TO INVERTER.
4. AC CURRENT RATED TO 15 AMPS MAX.
5. 106350-1-2 AMPS FOR 110VAC PER OUTLET, 1 AMPS FOR 220VAC PER OUTLET.
6. 106350-2-3 AMPS FOR 110VAC PER OUTLET, 15 AMPS FOR 220VAC PER OUTLET.
7. MATING CONNECTOR KIT AVAILABLE AS MCC1 P/N 856022-1 FOR OUTLET CONNECTORS. 856007-1 FOR INVERTER CONNECTOR.
8. Y ADAPTER KIT FOR INSTALLATION OF 2 UNITS AVAILABLE AS MCC P/N 806735-1.

REVISION HISTORY				
ZONE	REV	DESCRIPTION	DATE	DRAWN
3A,3DA		ADDED -2.	01/28/2011	GBE
1A	B	OUTPUTS WERE CALLED OUT AS "INPUTS".	04/21/2011	CAS



① AC POWER CONTROLLER
 (A) ② AC POWER CONTROLLER

<p>THIS DRAWING CONTAINS PROPRIETARY INFORMATION AND TECHNICAL DATA THAT ARE CONFIDENTIAL TO THE DRAWING HOLDER. IT IS TO BE USED ONLY FOR THE PURPOSES AND SIGNIFICATION EXPRESSED HEREIN AND IS NOT TO BE REPRODUCED OR TRANSMITTED IN ANY FORM OR BY ANY MEANS WITHOUT THE WRITTEN PERMISSION FROM MID CONTINENT CONTROLS, INC.</p>		<p>MID CONTINENT CONTROLS, INC. (316)789-0088 901 NORTH RIVER DERBY, KS 67037</p>	
FINISH:	NA	TITLE: POWER CONTROLLER - AC 110/220 (ONE IN - FOUR OUT)	
MATERIAL:		SIZE/DRAWN	CAS
UNLESS OTHERWISE SPECIFIED: DIMENSIONS ARE IN INCHES. TOLERANCES ARE:		DWG NO.	106350
DECIMALS ±.01	ANGLES ±1°	SCALE	1/1
		DATE	03/29/2010
		SHEET	1 OF 1

CONNECTOR DESCRIPTION	PART NUMBER	CONNECTOR	CONNECTOR
110VAC POWER CONTROLLER	110VAC POWER CONTROLLER	110VAC POWER CONTROLLER	110VAC POWER CONTROLLER
220VAC POWER CONTROLLER	220VAC POWER CONTROLLER	220VAC POWER CONTROLLER	220VAC POWER CONTROLLER

4

3

2

1

D

D

C

C

B

B

A

A