

NOTES:

- 1) AC LINES ARE NOT CURRENT LIMITED WITHIN THIS MODULE. AC LINE CURRENT LIMIT MUST BE PROVIDED WITH EXTERNAL BREAKERS. AC CURRENT SHOULD NOT EXCEED 15 AMPS.

P/N OF CONEC INC.

PINS 7, 8, & 9 ARE USED ONLY IF REMOTE "TEST/RESET" PANEL IS USED.

4) FUNCTIONAL DESCRIPTION: SEE MCC-19-032.

5) TEST PER MCC-14-459.

6) TYPICAL FAULT CURRENT SENSITIVITY: 3 - 10mA.

7) UNIT SHOULD BE TESTED PERIODICALLY TO INSURE PROPER OPERATION.

8) WEIGHT: 0.65 lbs.

9) POWER REQUIREMENTS: +28V @ 150mA TYP.

(EXCLUDING LOAD ON +28V TURN ON OUTPUT, PIN 3 OF 15).

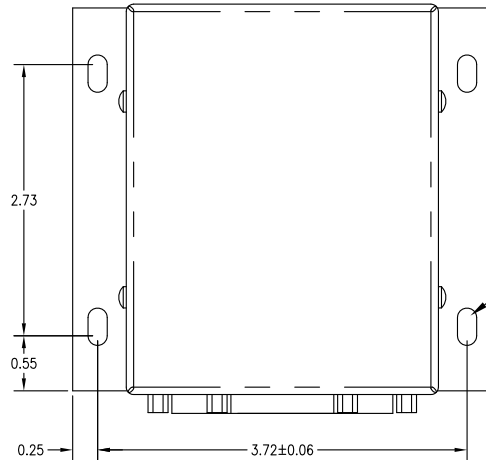
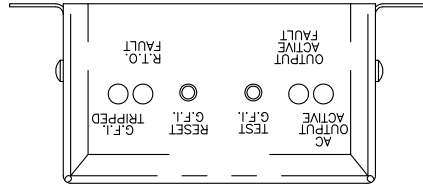
P/N OF ITT CANNON.

MATING CONNECTOR KIT AVAILABLE AS MCC1 P/N:

856019-1 & 856018-1 FOR CONNECTORS 1 & 2 RESPECTIVELY.

12) ORDER NUMBER IS 106072-1 FOR -1 AND 106072-2 FOR -2.

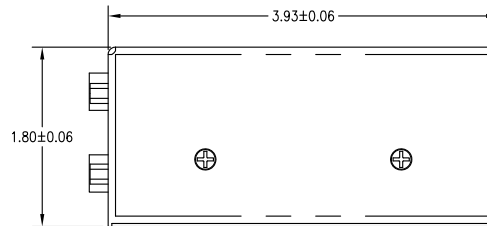
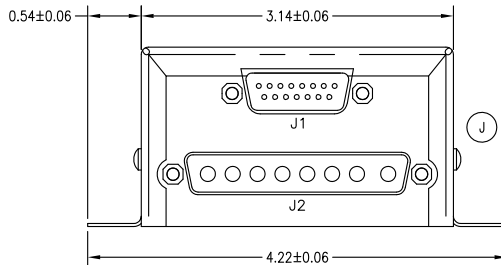
13) THE 106072-2 IS TESTED AND VERIFIED TO TRIP WITHIN 30ms WHEN A 30mA FAULT IS PRESENT.



Ø0.193 x .375" slot
4 plcs

① 106072-1

② 106072-2



REVISIONS				
ZONE	REV	DESCRIPTION	DATE	DRAWN
ALL	F	1) REDRAWN WITH CHANGES: CHANGED TOLERANCE: WAS .010" DIMENSION CLEANUP TO MATCH DETAIL PARTS INCORPORATED ALL PREVIOUS REVISIONS.	2/2/06	RAH
MULTI	G	1) UPDATED WIRE DESCRIPTION TABLES(NO PINOUT CHANGE) 2) UPDATED FINISH CALLOUT	2/2/06	RAH
ALL	H	1) ADDED 106072-2 2) ADDED NOTE 13 3) ADDED THE -2 TO NOTE 12	6/5/09	TRH
ALL	I	1) CHANGE NOTE 13 FROM 106104-2.	6/12/09	TRH
A3	J	1) MOVED J1 AND J2 IDENTIFIERS	1/11/10	TRH

WIRE DESCRIPTION - J1		
CONNECTOR DESCRIPTION	MATING CONNECTOR	
PART NUMBER	PART NUMBER	
MD15M5R5NTO CONNECTOR D20418-2 FEMALE JACKPOST	DAMA15S CONNECTOR D20419-2 MALE SCREWLOCK DA20961 BACKSHELL 031-1007-078 CRIMP SOCKET	
PIN	CIRCUIT DESCRIPTION	CIRCUIT TYPE
1	28VDC	DC SUPPLY VOLTAGE
2	GND	DC RETURN
3	TURN ON OUTPUT	28VDC OUTPUT @ 250mA
4	REMOTE TURN ON INPUT	28VDC INPUT @ 10mA
5	TURN ON OUTPUT	GND OUTPUT @ 50mA
6	REMOTE TURN ON INPUT	GND INPUT @ 10mA
7	REMOTE "TEST" INPUT	GND INPUT @ 10mA
8	REMOTE "RESET" INPUT	GND INPUT @ 10mA
9	REMOTE "TRIP" INDICATOR OUTPUT	GND OUTPUT @ 50mA
10	NC	NA
11	NC	NA
12	NC	NA
13	NC	NA
14	NC	NA
15	NC	NA

WIRE DESCRIPTION - J2		
CONNECTOR DESCRIPTION	MATING CONNECTOR	
PART NUMBER	PART NUMBER	
5008W8PX56A30X CONNECTOR D20418-2 FEMALE JACKPOST	5008W8SX99A10X CONNECTOR 132C11029X CRIMP SOCKETS 165X13399X BACKSHELL	
PIN	CIRCUIT DESCRIPTION	CIRCUIT TYPE
A1	AC LINE (OUTPUT - 15A MAX.)	115 VAC OUTPUT
A2	NC	NC
A3	AC RTN (OUTPUT - 15A MAX.)	115 VAC OUTPUT
A4	AC GND (OUTPUT)	115 VAC OUTPUT
A5	AC GND (INPUT)	115 VAC INPUT
A6	AC RTN (INPUT)	115 VAC INPUT
A7	NC	NC
A8	AC LINE (INPUT)	115 VAC INPUT

THIS DRAWING CONTAINS PROPRIETARY INFORMATION AND TECHNICAL MATERIAL THAT ARE THE SOLE PROPERTY OF MID CONTINENT CONTROLS, INC. THIS MATERIAL SHOULD BE TREATED AS CONFIDENTIAL. IF ITS RECEIPT AND SHOULD NOT BE SHOWN OR DISCLOSED TO ANY ORGANIZATION OR PERSON WITHOUT FIRST OBTAINING WRITTEN PERMISSION FROM MID CONTINENT CONTROLS, INC.

Mid Continent Controls, Inc. (316)789-0088
901 N. River Derby, KS 67037

FINISH: ANODIZE TYPE II, CLASS 2 BLACK, MIL-A-8625		GROUND FAULT INTERRUPTER (GFI)	
MATERIAL: N/A	SIZE c	DRAWN DLS	DWG NO. 106072
TOLERANCE: ±0.030" UNLESS NOTED	SCALE 1 : 1	DATE 01/20/03	SHEET 1 OF 1