

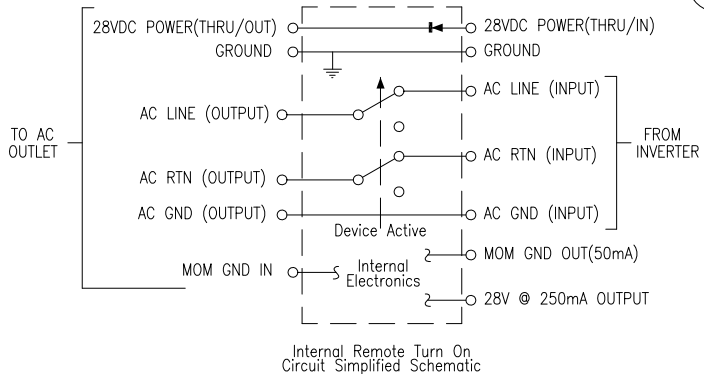
NOTES:

- 1) PIGTAIL LENGTH TO BE A MINIMUM OF 6"
- 2) AC LINES ARE NOT PROTECTED WITHIN THIS MODULE. AC PROTECTION MUST BE PROVIDED WITH EXTERNAL BREAKERS.
- 3) TEST PER MCC-14-457.
- 4) FUNCTIONAL DESCRIPTION: SEE MCC-19-031.
- 5) P/N OF AMP.
- 6) ALL WIRING MEETS M22759/11 SPEC
- 7) AC WIRING TO BE 18 AWG.
- 8) AC CURRENT RATED TO 5 AMPS
- 9) +28V, DC RETURN, CONTROL WIRES TO BE 24 AWG.
- 10) 28V CURRENT REQUIREMENTS:  
75ma + OUTPUT CURRENT ON PIN 5 (28V OUTPUT)
- 11) FOR PARTS LIST SEE: 806166-001
- 12) WEIGHT: 0.3 Lbs
- 13) MATING CONNECTOR KITS FOR CONNECTORS 1, AND 2 ARE, MCCI P/N: 856006-1, AND 856007-1 RESPECTIVELY

B<sub>3</sub> C<sub>2</sub>

E

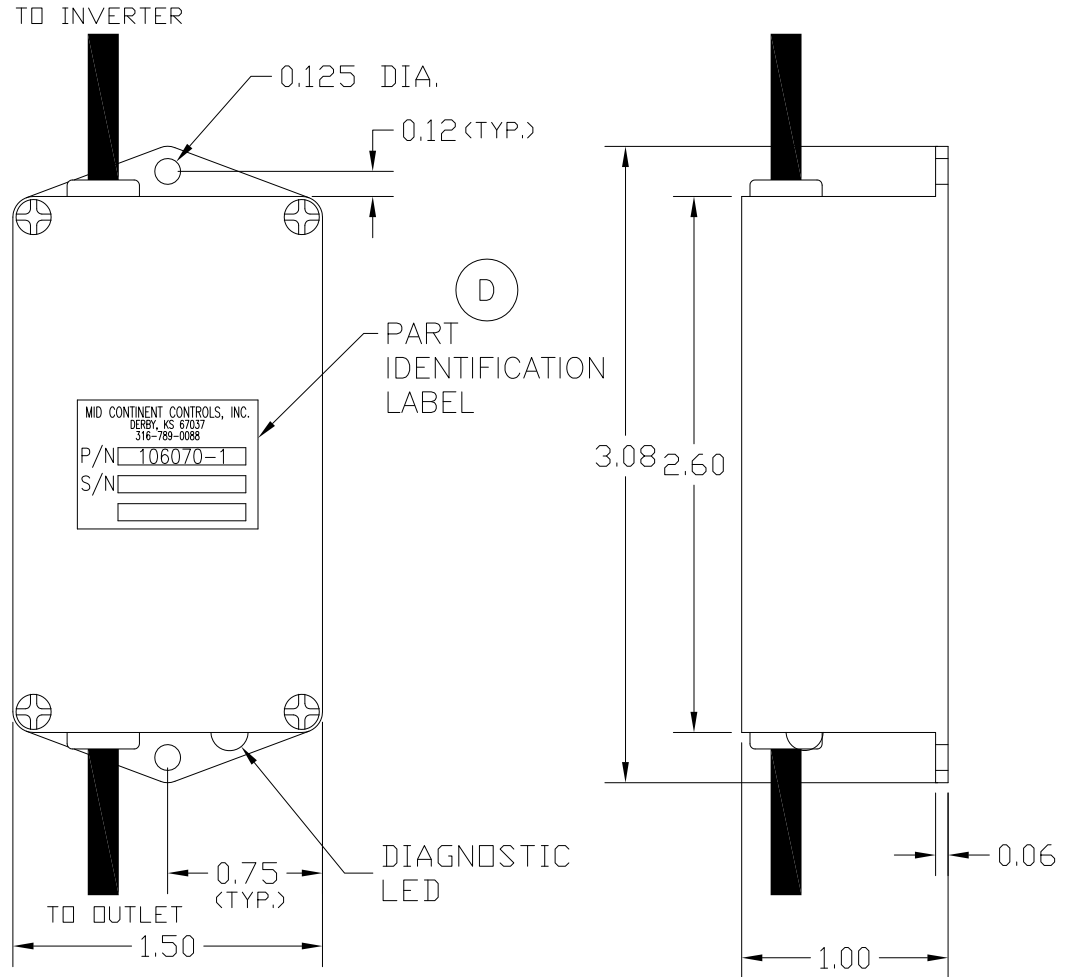
C<sub>1</sub>



CONNECTOR #1 DESCRIPTION	CONNECTOR #2 DESCRIPTION		
TO OUTLET	TO INVERTER		
206708-1 PLUG	206705-2 RECP		
206966-1 CLAMP	206966-1 CLAMP		
66105 SOCKETS-24Ga WIRE	66103 PINS-24Ga WIRE		
66101 SOCKETS-18Ga WIRE	66099 PINS-18Ga WIRE		
MATING CONNECTOR	MATING CONNECTOR		
206705-2 RECP	206708-1 PLUG		
206966-1 CLAMP	206966-1 CLAMP		
66103 PINS-24Ga WIRE	66105 SOCKETS-24Ga WIRE		
66099 PINS-18Ga WIRE	66101 SOCKETS-18Ga WIRE		
PIN	WIRE DESCRIPTION	PIN	WIRE DESCRIPTION
PIN	DESCRIPTION	PIN	DESCRIPTION
1	28VDC POWER(THRU/OUT)	1	28VDC POWER(THRU/IN)
2	GROUND	2	GROUND
3	MOM GND IN	3	MOM GND OUT(50mA)
4	NC	4	NC
5	NC	5	28V @ 250mA OUTPUT
6	NC	6	NC
7	AC LINE (OUTPUT)	7	AC LINE (INPUT)
8	AC GND (OUTPUT)	8	AC GND (INPUT)
9	AC RTN (OUTPUT)	9	AC RTN (INPUT)

B<sub>1</sub> C<sub>1</sub>  
B<sub>2</sub>

REVISIONS			
REV	DESCRIPTION	DATE	DRAWN
A	ADDED DIMENSIONS FOR MOUNTING HOLES.	10/30/2002	DLS
B	1. CHANGED CALLOUT FROM 66099-PINS AND 66101-SOCKETS. 2. REMOVED CALLOUT FOR MATING CONNECTOR'S PINS AND SOCKETS. 3. CHANGED WIRE CALLOUT FROM 18 AWG TO 14 AWG.	12/02/2002	GBE
C	1. CHANGED AC PINS & SOCKETS FROM 193844-1 AND 193846-1 2. CHANGED WIRE CALLOUT FROM 14AWG TO 18AWG.	12/17/2002	GBE
D	ADDED PART ID LABEL AND CALLOUT	5/06/03	RAH
E	REMOVED NOTE 11	9/29/2008	AJW



THIS DRAWING CONTAINS PROPRIETARY INFORMATION AND TECHNICAL MATERIAL THAT ARE THE SOLE PROPERTY OF MID CONTINENT CONTROLS, INC. THIS MATERIAL SHOULD BE TREATED AS CONFIDENTIAL BY ITS RECIPIENT AND SHOULD NOT BE SHOWN OR DISCLOSED TO ANY ORGANIZATION OR PERSON WITHOUT FIRST OBTAINING WRITTEN PERMISSION FROM MID CONTINENT CONTROLS, INC.

Mid Continent Controls, Inc. (316)789-0088  
901 N. River Derby, KS 67037

FINISH: ANODIZE TYPE II, CLASS 2, BLACK/MIL-A-8625

AC POWER CONTROLLER (110/220 5 Amp)

MATERIAL: N/A

SIZE A	DRAWN CWK	DWG NO. 106070	REV E
--------	-----------	----------------	-------

TOLERANCE: ± 0.010" UNLESS NOTED

SCALE 1:1	DATE 9/20/2002	SHEET 1 OF 1
-----------	----------------	--------------